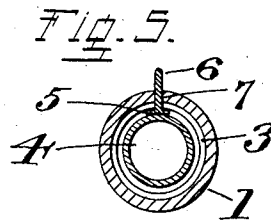
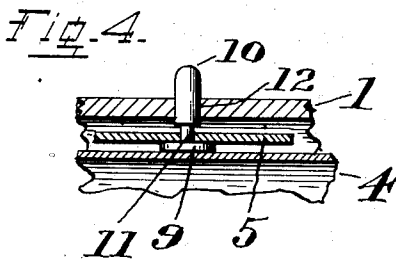
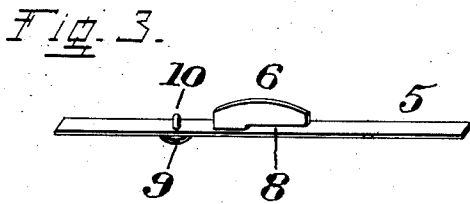
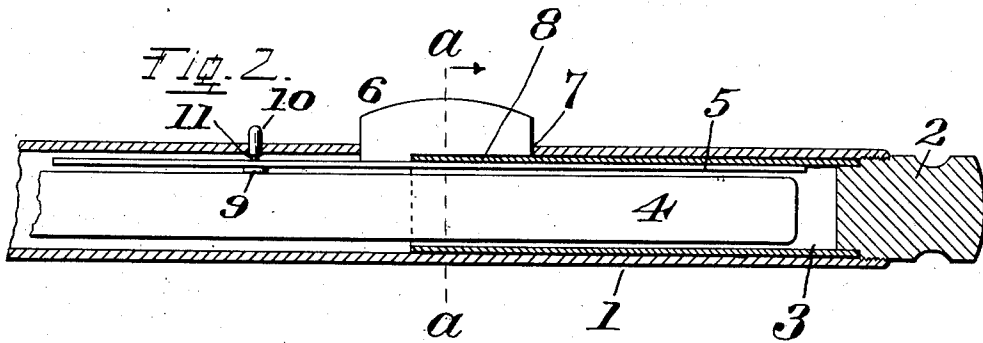
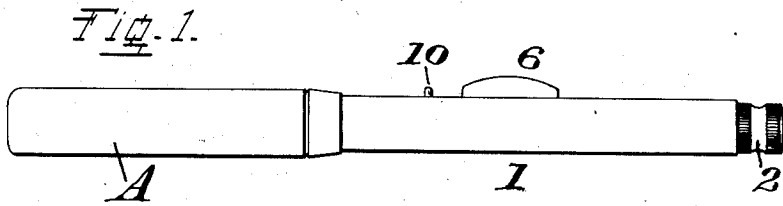


No. 827,004.

PATENTED JULY 24, 1906.

B. F. FLINT.  
FOUNTAIN PEN.  
APPLICATION FILED OCT. 28, 1905.



Witnesses.  
Homer Bradford.  
L. H. Irwin.

Inventor.  
Benjamin Franklin Flint,  
by John Elias Jones,  
Attorney.

# UNITED STATES PATENT OFFICE.

BENJAMIN FRANKLIN FLINT, OF CINCINNATI, OHIO, ASSIGNOR TO  
DAVID B. KAUFMANN, OF CINCINNATI, OHIO.

## FOUNTAIN-PEN.

No. 827,004.

Specification of Letters Patent.

Patented July 24, 1906.

Application filed October 28, 1905. Serial No. 284,858.

*To all whom it may concern:*

Be it known that I, BENJAMIN FRANKLIN FLINT, a citizen of the United States of America, and a resident of Cincinnati, in the county of Hamilton and State of Ohio, have invented certain new and useful Improvements in Fountain-Pens, of which the following is a specification.

This invention relates to improvements in fountain-pens of what is known as the "self-filler" type; and it consists in the provision of the several novel features of construction that are hereinafter described, and shown in drawings accompanying this specification, in which drawings—

Figure 1 is a longitudinal side elevation of my pen taken as a whole, showing the device closed and as it appears when not in active use; Fig. 2, an enlarged central or axial section showing the device with the pen-section end broken away, but otherwise fully illustrating my invention herein; Fig. 3, a detail perspective view of the presser-bar for compressing the ink-reservoir in filling or in emptying the latter, as desired or required, and showing the ink-starting pin thereon which embodies part of my improvement herein; Fig. 4, a fragmentary axial section, on a larger scale than Fig. 2, showing my improved ink-starting device construction; and Fig. 5, a cross-section on line *a a* of Fig. 2.

As seen in the views, 1 indicates the pen-barrel of hollow tubular form and having a plug 2 at its outer, or what usually constitutes the upper, end of the pen, such plug being preferably screw-threaded to engage a female thread in the barrel 1 for safely securing in place.

3 is a tube suitably mounted on the inner reduced or shouldered end of the plug 2 and extending forward within the barrel 1 almost mid-length of the latter for the purpose hereinafter duly explained.

4 represents the usual elastic or compressible ink reservoir or sack lying freely within the hollow of barrel 1 and extending backward from the pen-section (not shown) in the customary manner, its upper end closely approaching the inner end of plug 2, as best shown in Fig. 2.

5 is a metallic bar or strip lying in the hollow of barrel 1 parallel to the ink-sack 4 and provided with a thumb or finger piece 6, extending laterally therefrom mid-length

through a longitudinal slot or opening 7, 55 made in the side of barrel 1. Part of the thumb-piece 6 is cut away next to the strip 5, so as to provide a longitudinal parallel notch or recess 8, adapted to be engaged by the inner end of the tube 3 for normally supporting the strip 5 adjacent the inner face of the tube, but free from depressing or compressing contact with the ink-sack, thus preventing any accidental discharge of the ink from the sack that might be occasioned by careless handling of the pen and undue touching of the thumb-piece when unnecessary. The tube 3 loosely fits in the barrel just free enough to be drawn to and from the locking position in the recess 8 under the overhanging portion of the thumb-piece of the strip 5, the outer end of the plug 2 serving as a convenient handle to manipulate it as occasion may require.

To fill the ink-sack, the plug is loosened or unscrewed till the tube 3 can be slid outward or withdrawn from engagement in the notch 8. Then the thumb-piece 6 is depressed, carrying with and ahead of it the strip or bar 5, which latter is depressed or lowered to expel the air that is replaced by the ink in the usual manner.

A suitable space or annulus preferably surrounds the ink-sack, as best seen in Fig. 2, so that no undue danger of accidental ink-exPELLING contact is present, especially when the pen is in use or in the pocket or in ordinary handling for observation, as the case may be. The only time the locking-tube 3 need be withdrawn is when the ink-sack is to be filled or to be emptied, as required. The usual cap A is used for covering the pen-point when the device is not in use.

9 represents a disk freely supported on the under side of the compressor-bar 5, it being riveted or otherwise suitably secured at the lower end of the reduced portion 11 of a vertical pin 10, which latter projects or extends upward a short distance outwardly through an opening 12, made in the side of the hollow pen-barrel adjacent the thumb-piece 6, and the said disk 9 normally touches, but does not actually press or bear forcibly on the ink-sack 4. The reduced portion 11 of the pin 10 is adapted to slide freely within a small hole made in the bar 5, the extreme distance of movement being very slight and measured or limited the depth of the space between the bar 5 and the lower shouldered end of the pin,

thus limiting the compressing effect or action of the disk 9 on the ink-sack to start or excite the ink to action at any desired time. A very delicate tap of the disk on the ink-sack 4 is all that is requisite to get the ink free to feed at the pen-point after the device has not been in use for a time, and by simply striking the pin a very gentle blow with the finger-tip the ink starts to flowing. This disk and pin tap device is not intended as a feeder to keep the point supplied with ink while in use, but as a preliminary starter to more quickly get the ink to flowing at the beginning of use of the pen instead of shaking the entire pen and causing the ink to drop on the floor or elsewhere to cause some waste and damage.

I claim—

1. A fountain-pen comprising a tubular barrel open throughout its length and having a longitudinal slot pierced in its side intermediate its ends, a pen-section carried at one end of the barrel, a plug carried at the opposite end of the barrel, a tube carried by said plug and extending into the barrel, an ink-sack carried by the pen-section and extending into the barrel and with its inner end extending within said tube, a presser-bar freely suspended within the barrel adjacent the ink-sack, a thumb-piece carried by the presser-bar and extending outward through said lon-

gitudinal slot and having a longitudinal notch, or slit, therein, adapted to be engaged by the inner end of the said tube and locking the presser-bar against actuating contact or engagement with the ink-sack.

2. A fountain-pen comprising a tubular barrel having an opening pierced in its side intermediate its ends, a pen-section carried at one end of the barrel, an ink-sack carried by the pen-section and extending into the barrel, a presser-bar having an opening pierced in it and registering with the said opening in the barrel and said presser-bar being freely suspended within the barrel parallel to and adjacent the ink-sack, means in the barrel for carrying said presser-bar and for depressing contact with the ink-sack, and an ink-starting device comprising a transverse pin engaging said side opening in the barrel and having a reduced, shouldered inner end freely engaging and reciprocating in said opening in the presser-bar and a disk carried by the reduced inner end of said pin in engaging contact with the ink-sack.

Signed at Cincinnati, Ohio, this 3d day of October, 1905.

BENJAMIN FRANKLIN FLINT.

Witnesses:

JOHN ELIAS JONES,

WILLIAM SCHUCHARDT.