

Nov. 8, 1927.

1,648,545

M. FINSTONE

PAD HOLDING DESK SET

Filed Jan. 12, 1927

2 Sheets-Sheet 1

FIG. 1.

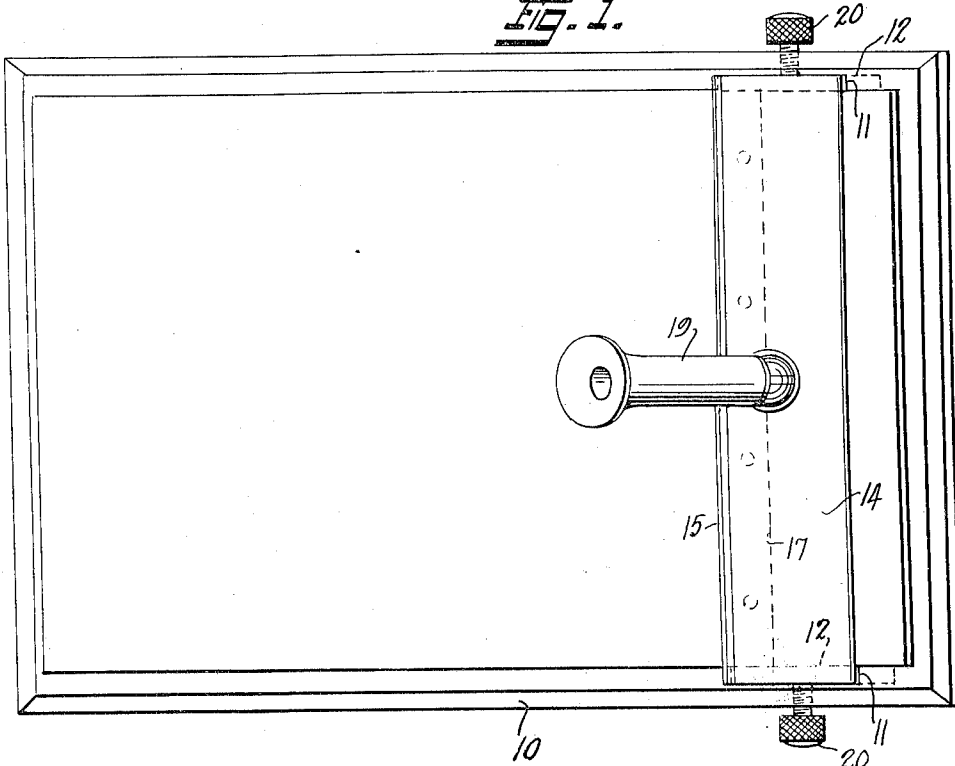


FIG. 3.

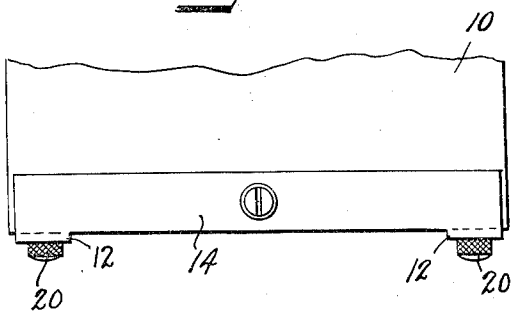


FIG. 2.

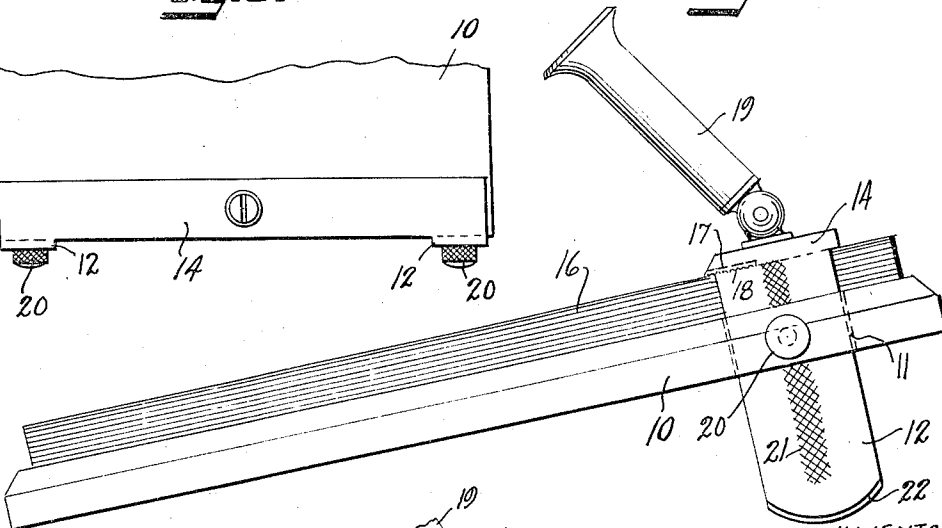
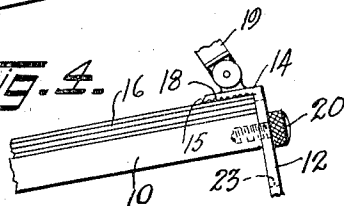


FIG. 4.



INVENTOR

Mary Finstone

BY

Alvin B. Bland
ATTORNEY

Nov. 8, 1927.

1,648,545

M. FINSTONE
PAD HOLDING DESK SET

Filed Jan. 12, 1927

2 Sheets-Sheet 2

FIG. 5.

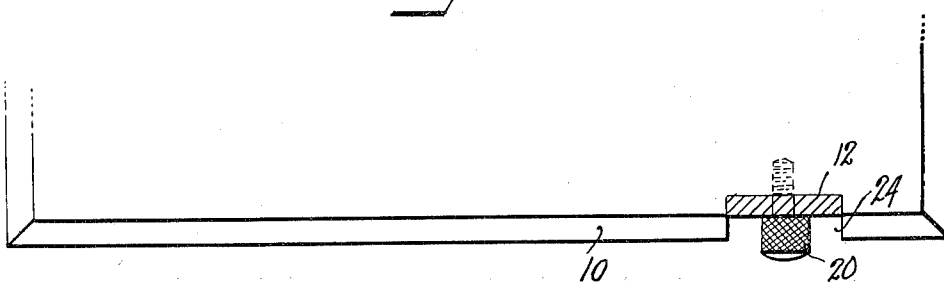


FIG. 6.

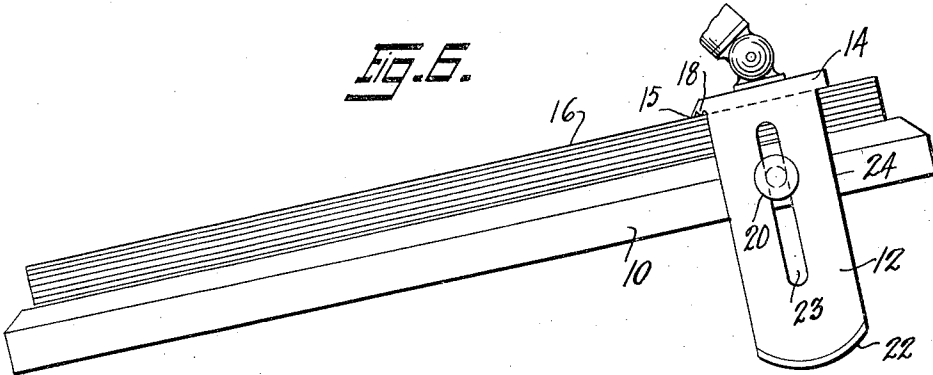


FIG. 7.

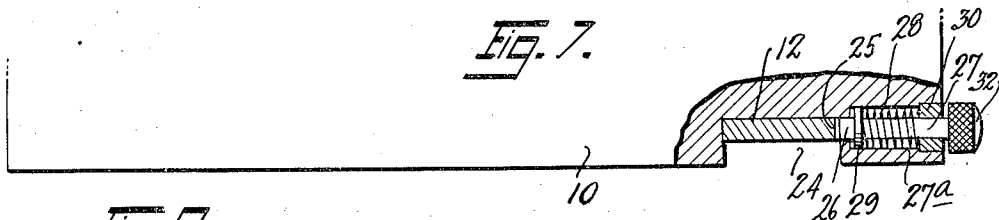


FIG. 8.

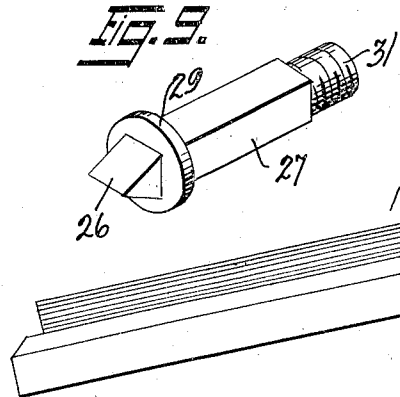
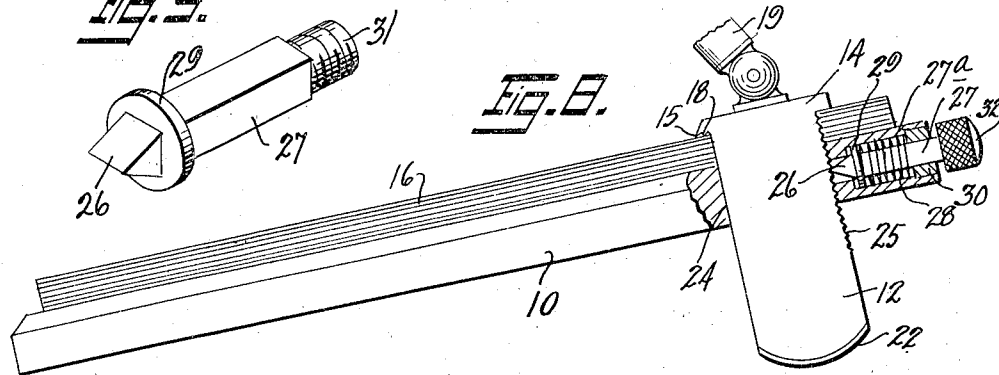


FIG. 9.



INVENTOR
Max Finstone
BY
Wm. M. Moch
ATTORNEY

UNITED STATES PATENT OFFICE.

MARX FINSTONE, OF NEW YORK, N. Y.

PAD-HOLDING DESK SET.

Application filed January 12, 1927. Serial No. 160,568.

This invention relates to improvements in pad holding desk sets, that is to say, a pad holder provided with novel means for clamping pads of varying thicknesses.

One of the objects of the invention is to provide a pad holder having a combined pad clamping member and pen and pencil support.

Another object of the invention is to provide a pad holder adapted for clamping calendar or other writing pads, loose-leaf sheets, such as used for hotel registers, and many other articles of this character.

A further object of the invention is to provide a holder of this character having a pad clamping member provided with legs to angularly and adjustably support a pad holding base.

A still further object of the invention is to provide a pad holder of this nature substantial, efficient, and yet inexpensive in construction.

Other objects and advantageous features and details of improvements will herein-after appear.

In the drawings forming a part of this specification:

Figure 1 is a top plan view of one embodiment of my invention.

Figure 2 is a side view in elevation thereof.

Figure 3 is a fragmental top plan view of a modified form of my invention.

Figure 4 is a side view thereof looking from the left of Figure 3.

Figure 5 is a fragmental top plan view partly in section showing a modified form of my invention.

Figure 6 is a side view thereof.

Figure 7 is a similar view to Fig. 5 showing a modified form of the clamping member locking means.

Figure 8 is a side view thereof partly in section and

Figure 9 is a detail view in perspective of one of the clamping member locking bolts.

Referring to the drawings in detail, 10 indicates a pad holding base provided at its sides and near the top end thereof (Figs. 1 and 2) with parallel rectangular openings 11 to permit the insertion therethrough of legs 12 of a pad clamping member 14 beveled at the front thereof to form a cutting edge 15 for the leaves of a pad 16 clamped in position by the clamping member 14. The

clamping member may be made of any suitable material such as metal, wood, celluloid, hard rubber or the like. If made of any soft material, I prefer to provide the said clamping member at the front thereof with a metallic plate 17 to form the sheet cutting means. To firmly grip the sheets or pad the bottom surface of the clamping member or cutting plate secured thereto may be roughened as at 18. The clamping member may have mounted thereon a support or holder 19 adapted to receive a fountain pen or pencil therein.

It will be clearly seen that the clamping member 14 can be adjustably secured to the base 10 to accommodate a pad 16 of any thickness by sliding the clamping member in the openings 11 and tightening the same by screws 20 passing through the base 10 and bearing against a roughened surface 21 of each of the legs 12. The angular position of the base may also be varied by the same means. The legs 12 may be lined at their bottom surface by soft rubber or felt pads 22 to prevent any marring or scratching of the surface against which they may rest.

In Figs. 3 and 4, I have shown a modified form of my invention, in which the legs 12 of the clamping member 14 project downwardly from the rear thereof and are provided with slots 23 to permit of angular adjustment of the base and the accommodation of different thicknesses of pads to be clamped thereto.

In Figs. 5 and 6 I have shown the base 10 cut away at 24 to admit the legs 12 which are in this case also provided with slots 23 to permit of the relative angular adjustment between the base 10 and the clamping member 14. While I have only shown one side of the device in these figures it is to be understood that both sides thereof are identical.

Likewise in a similar showing I have illustrated in Figs. 7 and 8, a form of my invention in which the legs 12 of the clamping member 14 enter the base 10 through the openings 24 and are provided at their rear end with corrugations or teeth 25 adapted to receive the projecting ends 26 of studs 27. These studs enter the base 10 through openings 27^a at the rear thereof and are pressed against the legs by means of a spring 28 exerting a pressure between a shoulder 29 on the said stud 27 and the end of a

bushing 30 in the base 10. The studs 27 are rectangular in cross section and are prevented from rotating in the bushings by passing through like shaped openings in the said bushings. A threaded portion 31 at the ends of the studs 27 provide means for securing knobs or heads 32 by which the studs may be retracted to allow for adjustment of the base and the clamping member.

10 From the above it will be seen that I have provided a simple and efficient combined pad holder and pen and pencil support, adapted to be adjusted to accommodate any thickness of pad to be clamped therein.

15 Having described my invention, what I claim as new is:

1. A pad holder, comprising a base, a clamping member slidably mounted on the base legs integral with the clamping member, means for adjusting the height of the base relatively to the legs, and means for locking the clamping member and base in adjusted position.

2. A pad holder, comprising a clamping member provided with legs, a base slidably mounted on the legs in angular relation therewith and means for varying the angular position of the base.

3. A pad holder, comprising a base, a clamping member provided with legs, adapted to support the base in an inclined plane, and means associated with the base and legs to vary the inclination of the base.

4. A pad holder, comprising a base, a clamping member slidably mounted on the base, means for varying the distance between the base and clamping member and means

for locking the said base and clamping member in any of the adjusted positions.

5. In a device of the nature described, a pad holding base, a pad clamping member, provided with legs and slidably and adjustably mounted on the base, and means between the legs and the base for locking the base and clamping member in any adjusted position.

6. A pad holder, comprising a base, a clamping member provided with legs adjustably mounted on the base, a readily releasable locking device mounted on the base cooperating with means on the legs to lock the clamping member in any adjusted position.

7. A device of the nature described, comprising a base, a clamping member adjustably secured to the base, legs on the clamping member embracing and overhanging the sides of the base and provided with slots, and screw members engaging the slots to lock the legs to the base in adjusted position.

8. In combination with a pad holder, a base, a clamping member adapted to grip a pad, legs on the clamping member and a spring pressed stud to releasably lock the base and legs together.

9. A desk set, comprising a base, a clamping member, legs integral therewith and depending from the rear of the clamping member at substantially a right angle thereto, and means for adjustably connecting the clamping member to the base.

In testimony whereof I hereunto affix my signature.

MARX FINSTONE.