
(19) 

**Canadian
Intellectual Property
Office**

An Agency of
Industry Canada

**Office de la Propriété
Intellectuelle
du Canada**

Un organisme
d'industrie Canada

(11) **CA 255206** (13) **A**

(40) **03.11.1925**

(12)

(21) Application number: **255206D**

(51) Int. Cl:

(22) Date of filing: ..

(71) Applicant: **WILLIAM J MICHEL.
SECURITY PEN CORP.**

(72) Inventor: **KRITIKSON JOHN H ().**

(54) **FOUNTAIN PEN**

(57) **Abstract:**

(54) **STYLOGRAPHE**

This First Page has been artificially created and is not part of the CIPO Official Publication

TO ALL WHOM IT MAY CONCERN:

Be it known that I, John H. Kritikson, of the City of Chicago, in the County of Cook, and State of Illinois, U. S. A., Mechanic, having invented certain new and useful improvements in Fountain Pens, do hereby declare that the following is a full, clear, and exact description of the same.

The invention relates to improvements in Fountain Pens and primarily to the self-filling type, which employ an ink reservoir and means for actuating the reservoir to fill it.

The invention disclosed herein relates to an extremely simple construction for controlling the filling of the reservoir, which materially reduces the manufacturing cost of the pen and readily allows of its association and dis-association to and from the barrel of the fountain pen, and in which the number of parts employed for accomplishing the desired end is reduced to a minimum.

The particular arrangement shown herein, for accomplishing the invention consists of a presser bar, presser bar actuating lever and a member for actuating said lever, the latter being directly connected to the lever and being rotatively and longitudinally movable with respect to the barrel. The lever is connected directly to this rotatable

member and the former is constructed so that upon an outward movement of the rotatable member the reservoir will be compressed and upon an inward movement thereof the reservoir is allowed to expand and be charged with ink.

The invention is susceptible of various changes and modifications and therefore is not limited to the particular construction illustrated, the scope thereof being defined by the appended claims forming a part thereof.

The invention will be explained in conjunction with the accompanying drawings in which

Fig. 1 is a partial section of a fountain pen having the invention applied thereto.

Fig. 2 is a view similar to Fig. 1 showing the structure in a changed position.

Fig. 3 is a plan view of the structure shown in Figs. 1 and 2, and Fig. 4 is a section taken on line 4-4 of Fig. 1.

The structure includes the use of the usual pen barrel or handle 10, one end of which carries the pen point 11, and the opposite end of the knob generally designated 12, which is associated with the lever mechanism generally designated 13. This knob and lever mechanism provide the means for actuating the presser bar 14 which extends lengthwise of the reservoir 14^a and compresses it upon the actuation of the lever in one direction and permits the reservoir to expand and when the bar is elevated by the actuation of said lever mechanism and knob. This knob 12 is provided with the threaded portion 15 which cooperates with the threaded portion 16 of the barrel to move the knob inwardly

and outwardly with respect to the barrel when said knob is rotated in opposite directions with respect thereto. This knob 12 is provided with an extension 17 having the enlargement or head 18 and the reduced or neck portion 19, this extension is arranged centrally with respect to the knob 12 and moves with the knob when the latter is actuated. The head 18 is preferably rounded as shown at 20.

The lever generally designated 13 is pivoted between its ends upon the pin 21 which cooperates with the downwardly extending ears 22-22 which conform to the shape of the bore of the cylinder or barrel 10. The end 23 of this lever is curved downwardly and this end of the lever is arranged between the knob 12 and the head of the extension 17, the neck 19 of this extension projects through a slot 24 provided in the downturned end of the lever. This end of the lever is also curved transversely to conform with the shape of the curved portion of the head. This assists in allowing the head to move freely with respect to this end of the lever upon the actuation of the knob 12 or when the latter is moved outwardly, with respect to the barrel 10.

The free end of the lever is provided with the lateral extensions 25-25 which are spun from the material of which the lever 13 is formed. These extensions 25-25 are arranged in apertures provided in the upturned sides 26-26 of the presser bar 14.

When the knob 12 is rotated and moved outwardly the enlargement or head 18 engages the underside of the curved or

cam shaped end 23 of the lever 13 which moves this end upwardly and causes the reservoir 14a to be compressed. This outward movement of the knob and its headed extension is limited in this movement by the engagement of the reduced or neck portion 19 and the material defining end of the slot 24. When this end of the lever is in this last named position the extremity of the curved portion of the lever is in engagement with the face 27 of the threaded portion of the knob and therefore, immediately upon the inward movement of the member or knob 12 the end of the lever to which the presser bar 14 is attached is moved upwardly which allows the reservoir to expand and fill. The curve of that portion of lever 13 adjacent the knob is such that the bar is started upon its reservoir compressing movement immediately upon the outward movement of the knob. When this knob is in its most inwardly position the extremity of the curved end of the lever is in contact with the flat face 27 of the knob which holds this lever in its elevated position without applying any pressure upon the ink reservoir 14a.

From the foregoing description it is evident that an extremely simple arrangement is product for quickly compressing and releasing the reservoir to permit it to expand and be filled.

Having thus described the invention what I claim and desire to cover by Letters Patent is:

CLAIMS

1. In a fountain pen the combination of a barrel, an ink reservoir, a lever having a curved slotted end, and means for actuating said lever to contract and permit the reservoir to expand, said means including a rotatable member which is movable lengthwise of the barrel and having means projecting therefrom through said slot and into engagement with said end of the lever to control the raising and lowering of the lever.

2. In a means for controlling the collapse and expansion of an ink reservoir for fountain pens, the combination of a lever, having laterally extending arms arranged between the ends of said lever and providing a pivot for said lever, a presser bar arranged at one end of said lever, the opposite end of said lever extending longitudinally and laterally and curved in the plane of its length and having a slot which extends lengthwise of said last mentioned end, and means for engaging and actuating said lever, said means being movable endwise of said barrel.

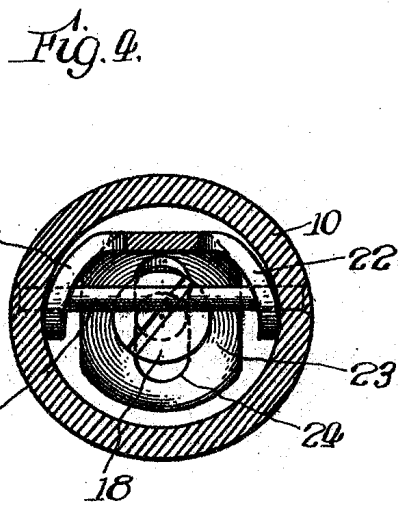
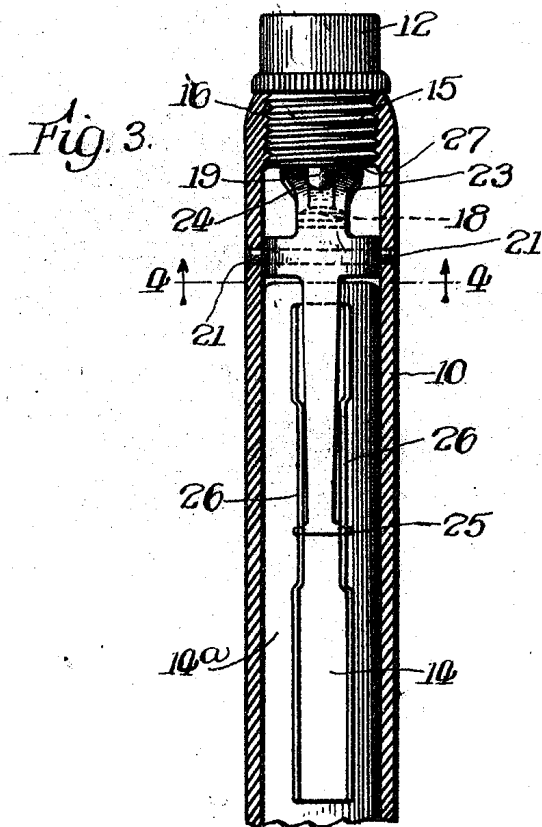
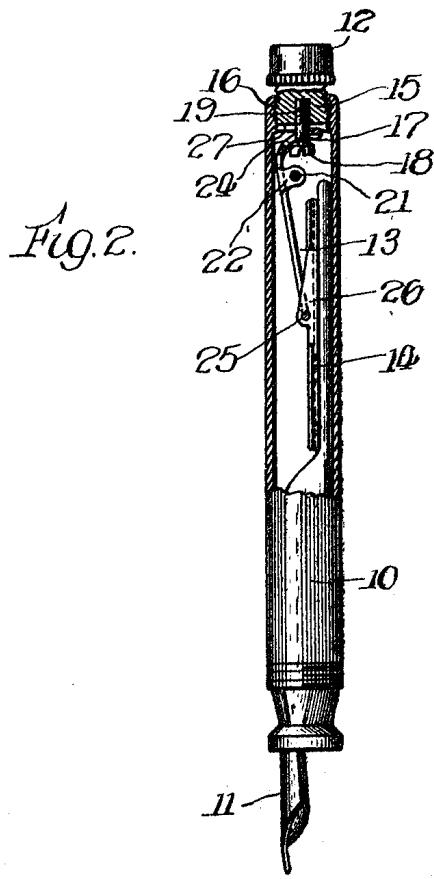
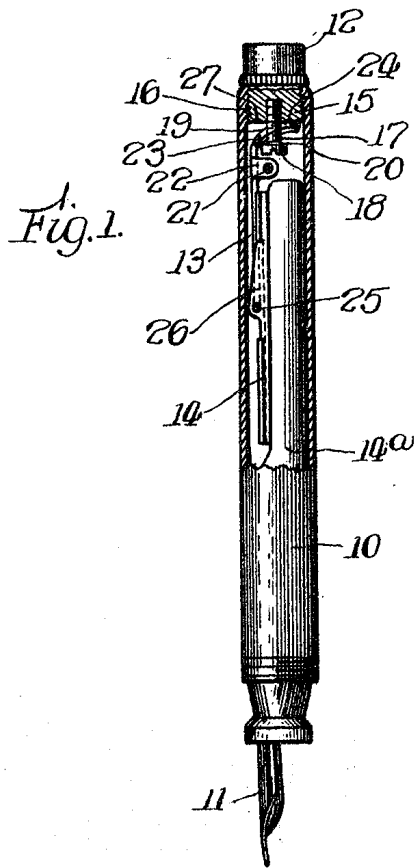
3. In a means for controlling the collapse and expansion of an ink reservoir for fountain pens, the combination of a lever having laterally extending arms arranged between the ends of said lever and providing a pivot point at which said lever is pivoted, a presser bar arranged at one end of said lever, the opposite end of said lever extending long-

itudinally and laterally and curved in the plane of its length and having a slot extending lengthwise of said curved portion, and means for engaging said last mentioned end of said lever to actuate said lever, said means being movable lengthwise of the fountain pen barrel and having a portion which extends through the slot and having elements which engage the opposite faces of the curved slotted portion to cause the actuation of said lever upon the end-wise movement of said means for actuating the lever.

4. In a means for controlling the collapse and expansion of an ink reservoir for fountain pens, the combination of a lever pivoted intermediate its ends, a presser bar connected to one end of said lever, the opposite end of said lever extending longitudinally and laterally and curved in the plane of its length and having a slot, rotatable means movable lengthwise of the fountain pen barrel for actuating said lever to cause the lever to compress the reservoir and to permit it to expand, said means including means for engaging the opposite sides of said laterally curved slotted portion, said last mentioned means being adapted to engage the portion of said laterally curved slotted portion nearest the pivot of the lever upon its initial reservoir collapsing movement and to engage that portion of the lever adjacent the extremity of said laterally curved slotted portion upon the movement of the rotatable means which permits the reservoir to expand.

5. In a means for controlling the collapse and expansion

of an ink reservoir for fountain pens, the combination of a lever pivoted intermediate its ends, a presser bar connected to one end of said lever, the opposite end of said lever extending longitudinally and laterally and curved in the plane of its length and having a slot, rotatable means movable lengthwise of the fountain pen barrel for actuating said lever and causing the lever to compress the reservoir and permit it to expand, said means including means for directly engaging the curved slotted portion; said last mentioned means being engageable with that portion of said curved portion nearest the pivot of the lever upon its initial reservoir collapsing movement and increasing the action of said lever upon the reservoir as said means is moved toward the end of the curved portion and to engage that portion of the lever adjacent to the extremity of the curved portion upon that movement of the rotatable means which allows the reservoir to expand.



Witnesses
 John P. Smith
 Vera F. Ashford

Inventor
 John H. Critchison

Certified to be the drawing referred to in the specification herewith annexed.

Signed at Chicago Ill
 June 9th 1924

By Otto M. Wernick
 Atty.