

PATENT SPECIFICATION

406,073

Application Date: Sept. 20, 1932. No. 26,125/32.

Complete Left: Sept. 20, 1933.

Complete Accepted: Feb. 22, 1934.

PROVISIONAL SPECIFICATION.



Improvements in and relating to Ink Wells and in particular Ink Wells suitable for use with Self-filling Fountain Pens.

I, LIONEL GUNSBERG, (British), of 3, Broxholm Road, West Norwood, London S.E. 27 do hereby declare the nature of this invention to be as follows:—

5 For the purpose of my invention I make a circular box or container of any desired dimensions with a screw top cap.

10 For approximately half the depth of the inside I thread with a very fine thread, say thirty-six threads to the inch. I make a circular disc of approximately 1/4 inch thick, threaded on its outer edge to engage the threads referred to, so that this circular disc can be screwed into the container as far as this latter is threaded.

15 In the centre of this disc I mount a small boss and through the centre of the boss and the centre of the disc I pierce a small oval hole just sufficiently large to take the nib and feed of a fountain pen.

20 If the container is partially filled with ink and the nib and feed of a fountain pen are inserted in the central oval hole, then by a turning motion of the fountain pen, the disc will be revolved and by this means can be lowered or raised to the exact depth required to fill a fountain pen without the slightest danger of the

nib section of the pen coming into contact with the ink. 30

In the outer circumference of the disc I pierce four small holes which holes are for the purpose of acting as an indicator to the required depth to which the disc should be lowered by the turning movement. The disc is lowered until the ink appears over the surface of the disc. It will be noted that the small raised boss is still uncovered and forms a clean ledge on which the nib section of the pen rests. 35

The threading of the walls of the container is only carried to a depth that will not permit the disc to be turned lower than is required to prevent the nib being damaged by coming into contact with the bottom of the container. Alternatively to threading the inside walls of the container a spiral wire of the dimensions to fit inside walls of the container can be inserted and would act in similar manner. 40 45 50

Dated this 20th day of September, 1932.
JOHN HINDLEY WALKER,
139, Dale Street, Liverpool, and
125, High Holborn, London W.C. 1,
Agent for the Applicant.

COMPLETE SPECIFICATION.

Improvements in and relating to Ink Wells and in particular Ink Wells suitable for use with Self-filling Fountain Pens.

I, LIONEL GUNSBERG (British Nationality) of 3, Broxholm Road, West Norwood, London, S.E. 27, do hereby declare the nature of this invention and in what manner the same is to be performed, to be particularly described and ascertained in and by the following statement:—

60 This invention relates to the filling of reservoir pens with ink, and has for its object to provide an inkwell whereby this operation may be conveniently effected without likelihood of the nib section of the pen becoming smeared with ink.

An ink well, according to my invention, comprises, in combination, a receptacle, a plate or disc disposed within said receptacle and in screw-engagement with the inner wall thereof—or, alternatively, within the inner wall of a tubular or cylindrical member located within the receptacle—and said plate or disc being provided with an opening adapted to receive the nib and feed of a reservoir pen but prevent entry of the nib section. Said disc may be adjusted by screwing to the desired height, according to the liquid level of ink in the receptacle, and, in the filling operation, the nib and feed of a pen are inserted into said opening and

[Price 1/-]
Price 4s 6d

dipped in the ink below same, the downward motion of said nib and feed being limited and an air seal effected through abutment of the lower end of the nib section with the margin of said disc opening or the top of an apertured boss, or its equivalent formed on the disc in alignment with said opening.

The receptacle and cap or cover thereof may be provided with means which cooperate to prevent ink from access to the outer wall or surface of the receptacle.

I will further describe my invention with the aid of the accompanying sheet of explanatory drawings in which:—

Fig. 1 is a vertical section of an inkwell and cap, and Fig. 2 a plan view of the inkwell. Fig. 3 is a sectional fragment, drawn to an enlarged scale as compared with the preceding views.

Fig. 4 illustrates, in half section, an inkwell and cap of modified construction.

In the several views like characters of reference denote like or equivalent parts.

Referring first to the inkwell illustrated in Figs. 1 to 3, inclusive, *a* indicates a receptacle of glass or other suitable material and *b* is an internally screw-threaded tubular piece located within said receptacle and spaced from its inner wall.

Disposed within tube *b* is a circular plate or disc *c* having a screw-threaded rim or wall *d* which is screwed into said tube, and provided on the central portion of said disc *c* is a boss or projection *e*: extending through said disc and boss is an oval opening *f*. Radial ribs *g* extend from said boss to the annular rim *d*, and in the floor of the disc are several small apertures *h*. Said oval opening *f* of the disc is sufficiently large to receive pen nibs with feeds of varying widths, but without permitting entry of the nib section of a pen.

If the receptacle *a* contains ink, it is merely necessary (say, by means of an end of a pen inserted in a recessed part *c*¹ of disc *c*) to revolve the disc and lower or raise the same to the exact position required relative to the ink level i.e. until the ink appears just over the surface of the disc: then, by inserting the nib and feed of the pen in the central oval opening *f*, the pen may be filled without danger of the nib section of the pen becoming smeared with ink. It is to be noted that the marginal top *e*¹, of said boss *e* not only constitutes a stop for the pen, but also co-operates with the lower end of the nib section to effect an air-seal during the filling operation. Adjustment of disc *c* is preferably limited in one or both directions by stops consisting, say of co-operating pins *c*², *b*¹ on the disc and the tubular member *b*, respectively.

Alternatively to threading the inner wall of the member *b*, a spiral wire of suitable dimensions may be inserted into said member and fitted against the inside wall thereof in order to form screw-threading.

To prevent ink from obtaining access to the outer wall of receptacle *a* and soiling same, a ring *j* of metal or other material and which supports the member *b* is provided with an annular ink channel *k*, and a rubber or other suitable joint-making ring *l* is anchored around a central depression *m* of a screw cap *n* and adapted to fit on the seating part *o* of said supporting ring *j*.

In the modification illustrated in Fig. 4, said tubular member *b* is omitted, the inner wall of the receptacle *a* itself being screw-threaded to receive the adjustable disc *c*. In this construction an ink channel *k* is formed in the upper annular end of the receptacle, the edge *o*¹ of which co-operates with the sealing ring *l* of the screw cap *n*.

Having now particularly described and ascertained the nature of my said invention and in what manner the same is to be performed, I declare that what I claim is:—

1. An inkwell for use in filling a reservoir pen, comprising, in combination, a receptacle, a plate or disc disposed within said receptacle and in screw-engagement with the inner wall thereof, and said plate or disc being provided with an opening adapted to receive the nib and feed of a reservoir pen but prevent entry of the nib section, for the purpose specified.

2. An inkwell for use in filling a reservoir pen, comprising, in combination, a receptacle, an internally screwthreaded cylinder or tube affixed within said receptacle and a plate or disc in screw-engagement with said cylinder or tube; and said plate or disc being provided with an opening adapted to receive the nib and feed of a reservoir pen but prevent entry of the nib section, for the purpose specified.

3. In an inkwell as claimed in either of the preceding Claims, a stop plate or disc, substantially as hereinbefore described and illustrated in the accompanying drawings.

4. An inkwell for use in filling reservoir pens, substantially as hereinbefore described and illustrated in Figs. 1 to 3, or Fig. 4 of the accompanying drawings.

5. An inkwell complete with cap or cover and co-operating means for preventing ink from soiling the exterior of the receptacle, substantially as hereinbefore described and illustrated in Figs. 1 to 3 or Fig. 4 of the accompanying drawings.

Dated this 19th day of September, 1933.

JOHN HINDLEY WALKER,
139, Dale Street, Liverpool and
125, High Holborn, London, W.C. 1,
Agent for the Applicant.

Redhill: Printed for His Majesty's Stationery Office, by Love & Malcomson, Ltd.—1934.

[This Drawing is a reproduction of the Original on a reduced scale.]

Fig. 1.

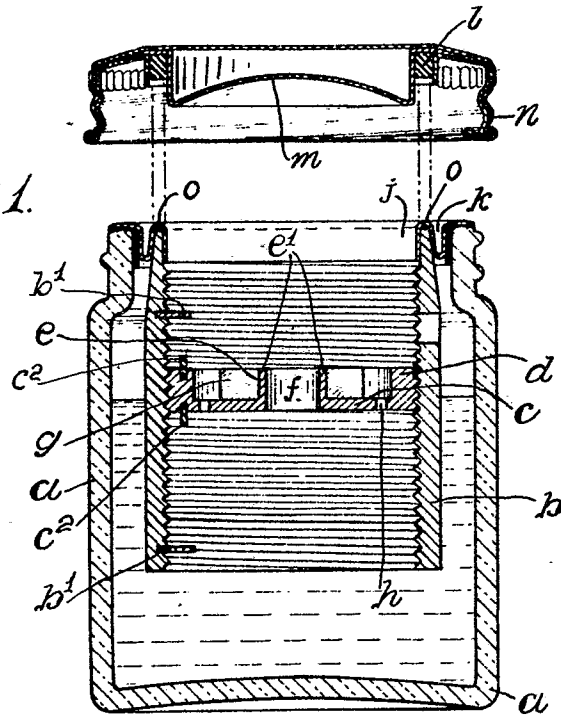


Fig. 2.

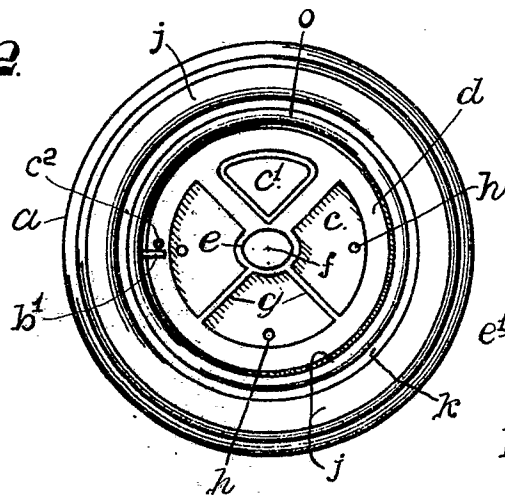


Fig. 4.

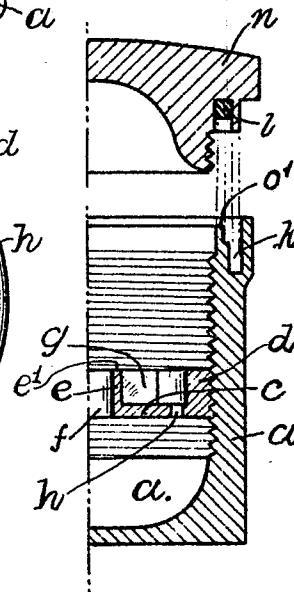


Fig. 3.

