

181,705

## FOUNTAIN PEN

John Bruce, Darien, Conn., assignor to Waterman Pen Company, Inc., New York, N. Y., a corporation of New York

Application February 27, 1957, Serial No. 45,022

Claims priority, application Great Britain  
September 20, 1956

Term of patent 14 years

(Cl. D74—17)

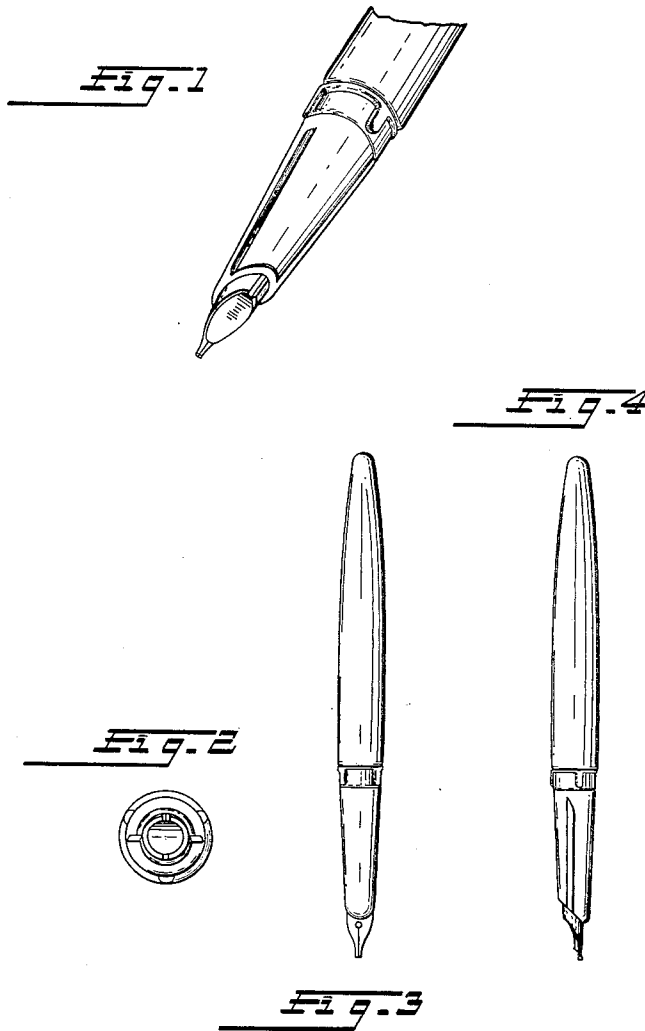


Figure 1 is a fragmentary perspective view showing the nib end of a fountain pen embodying the design of the invention;

Figure 2 is an end view thereof;

Figure 3 is a front elevation showing the complete fountain pen; and

Figure 4 is a side elevation thereof.

I claim:

The ornamental design for a fountain pen, substantially as shown.

### References Cited in the file of this patent

#### UNITED STATES PATENTS

D. 169,446 Kahn ..... Apr. 28, 1953  
D. 178,033 Young et al. .... June 12, 1956

#### OTHER REFERENCES

"Office Appliances," July 1955, page 101.