

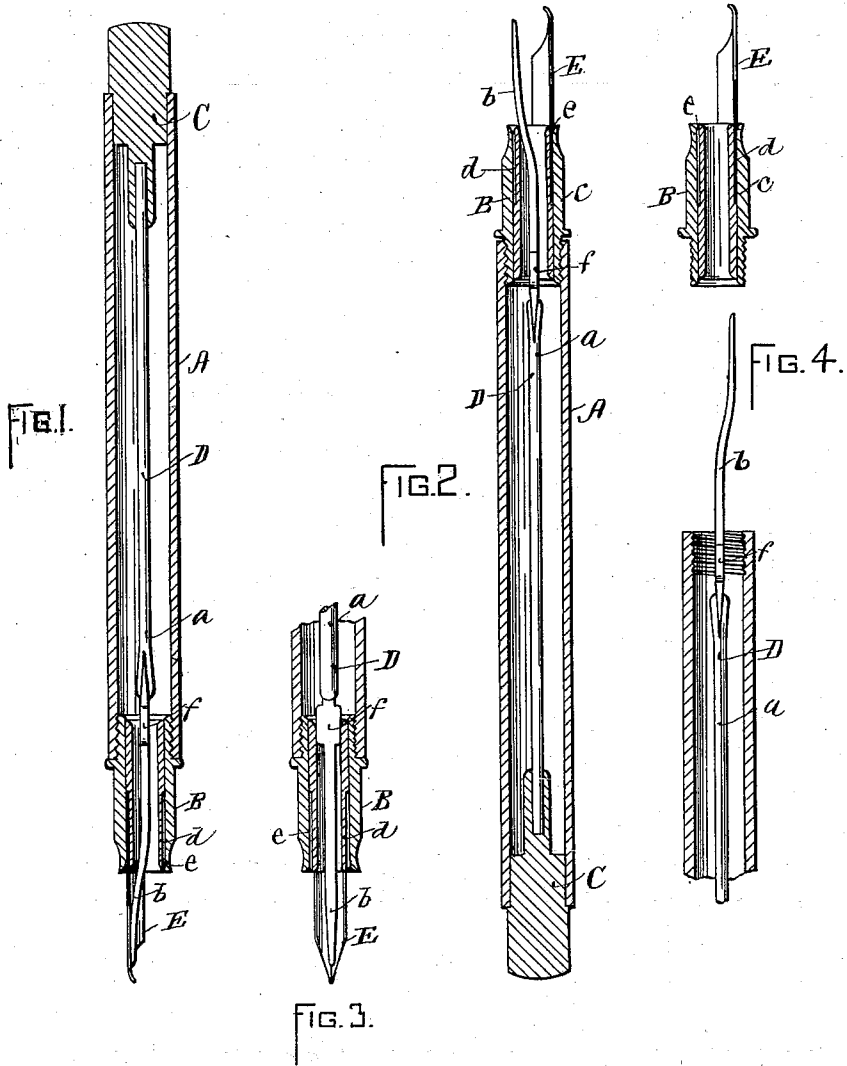
No. 657,483.

Patented Sept. 4, 1900.

A. T. CROSS.
FOUNTAIN PEN.

(Application filed Sept. 2, 1896.)

(No Model.)



WITNESSES:

Harry J. Garceau.
Amos W. Burman

INVENTOR:

Alonso J. Cross
BY *S. Schofield*
ATTY.

UNITED STATES PATENT OFFICE

ALONZO T. CROSS, OF PROVIDENCE, RHODE ISLAND.

FOUNTAIN-PEN.

SPECIFICATION forming part of Letters Patent No. 657,483, dated September 4, 1900.

Application filed September 2, 1896. Serial No. 604,662. (No model.)

To all whom it may concern:

Be it known that I, ALONZO T. CROSS, a citizen of the United States, residing at Providence, in the State of Rhode Island, have invented a new and useful Improvement in Fountain-Pens, of which the following is a specification.

My invention relates to that class of fountain-pens in which a writing-pen is employed; and it consists in improved means for keeping the pen in proper condition for use by making the parts readily accessible for cleaning, as hereinafter fully set forth.

In the accompanying drawings, Figure 1 represents the longitudinal section of a fountain-pen provided with my improvement, showing the feed-bar of the pen in its proper position for writing. Fig. 2 represents the pen in a reversed position, with the feed-bar turned away from the pen, whereby access may be had to both the feed-bar and pen for wiping the same. Fig. 3 represents a detail section taken at right angles to that shown in Fig. 1. Fig. 4 shows the pen-section removed from the ink-reservoir.

In the drawings, A represents the ink-reservoir, B the pen-section, and C the closing-plug at the upper end of the ink-reservoir. The feed-bar is permanently attached either to the plug C or to some portion of the ink-reservoir and preferably to the said plug, and in that case I prefer to make the feed-bar D in two parts, consisting of the upper and lower portions *a* and *b*, the projecting lower end of the feed-bar being deflected to contact with the nibs of the writing-pen E. Within the bore of the outer tube *c* of the pen-section B is placed the tube *d*, forming, with the tube *c*, an annular space *e*, adapted to receive the shank of the pen E to hold the same, and the feed-bar D is provided with a lateral enlargement *f*, which bears loosely against the walls of the pen-section to preserve the proper relative position of the lower end of the feed-bar. In writing the ink will be carried to the nibs of the pen by capillary attraction, and the air

to take the place of the ink thus drawn from the ink-reservoir will pass upward through the open bore of the pen-section, and the capillary attraction of the under side of the deflected feed-bar and the atmospheric pressure will serve to prevent the ink from flowing out of the lower end of the point-section under the said feed-bar.

When the pen is to be laid away for any length of time after use, by simply unscrewing the pen-section for one-half a turn of the screw the feed-bar will be turned away from the under side of the pen to the position shown in Fig. 2, in which both the pen and feed-bar may be wiped clean and the drying of ink between the feed-bar and pen be prevented. The pen will thus be kept in order for immediate use when next required, and in case the ink has become dried between the feed-bar and the pen the rubbing movement of the pen against the surface of the feed-bar, caused by the unscrewing of the pen-section from the ink-reservoir, will effectually clear the dried ink from both. Upon the removal of the pen-section for filling the ink-reservoir, as shown in Fig. 4, ready access will be had to both the pen and the feed-bar for cleaning purposes.

I claim as my invention—

In a fountain-pen, the combination of the ink-reservoir, and the removable point-section provided with an inner and outer tube, and having an annular space between the inner and outer tubes to receive the shank of the writing-pen and hold the same eccentrically, and the feed-bar connected with the ink-reservoir independently of the point-section, and provided with the guiding enlargement within the bore of the point-section, and with the deflected lower portion extending eccentrically to contact with the nibs of the writing-pen, substantially as described.

ALONZO T. CROSS.

Witnesses:

SOCRATES SCHOLFIELD,
HARRY J. GARCEAU.