

J. C. WAHL & W. H. ODLUM.
 CLIP FOR PENCILS AND THE LIKE.
 APPLICATION FILED MAR. 8, 1917.

1,279,186.

Patented Sept. 17, 1918.

Fig. 1.

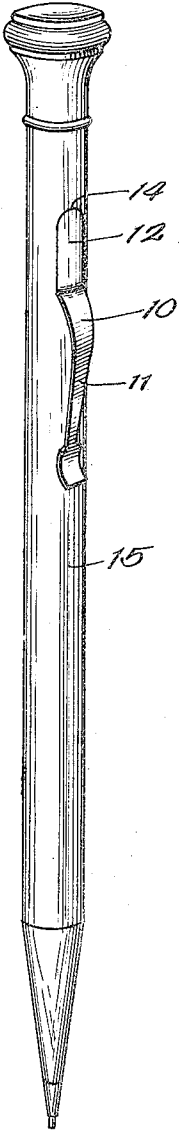


Fig. 3.

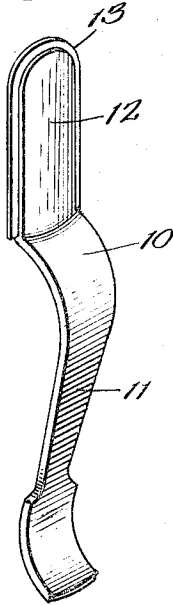


Fig. 2.

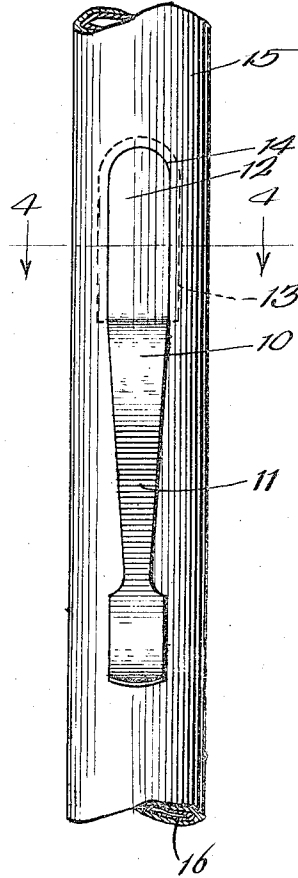
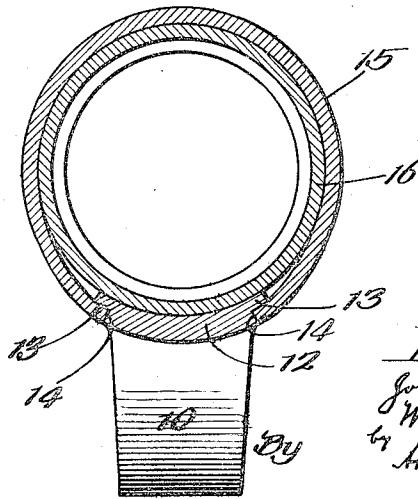


Fig. 4.



Inventors:
 John C. Wahl and
 William H. Odum
 by Arthur F. Pooler
 atty.

UNITED STATES PATENT OFFICE.

JOHN C. WAHL AND WILLIAM H. ODLUM, OF CHICAGO, ILLINOIS, ASSIGNORS TO THE WAHL COMPANY, OF WILMINGTON, DELAWARE, A CORPORATION OF DELAWARE.

CLIP FOR PENCILS AND THE LIKE.

1,279,186.

Specification of Letters Patent. Patented Sept. 17, 1918.

Application filed March 8, 1917. Serial No. 153,417.

To all whom it may concern:

Be it known that we, JOHN C. WAHL and WILLIAM H. ODLUM, citizens of the United States, residing at Chicago, in the county of Cook and State of Illinois, have invented a certain new and useful Improvement in Clips for Pencils and the like, of which the following is a specification.

Our invention is an improved clip for a pen or pencil and is designed to provide a clip serving to hold the same securely in the user's pocket and which shall be stronger, more economical of manufacture and present a neater appearance than the clips now in use for this purpose.

Our invention will be best understood by referring to the accompanying drawings of which:

Figure 1 is an assembly view showing our improved clip, in position,

Fig. 2 is an enlarged view of the clip supporting portion of the pencil,

Fig. 3 is a view of a clip before it is inserted in its place in the pencil, and

Fig. 4 is a section along the line 4—4 of Fig. 2.

Referring particularly to Fig. 3, it will be observed that the clip 10 consists of a prong 11 and a base or supporting portion 12. This base has a flange 13 swaged thereon and said flange is adapted to contact with the inside of the tube 15 which forms the outside casing of the pencil or pen to which our improved clip is to be attached. The thick portion of the base 12 is adapted to fit into a hole 14 which is punched in the outside tube 15 and the flange 13 prevents the withdrawing of the clip 10 from the tube or casing 15.

In order to hold the clip 10 in the casing 15 we have provided an inner tube 16 which is adapted to fit the inside of the casing 15. In Fig. 4 we have shown the assemblage taken on the section line 4—4 of Fig. 2. In Fig. 4 it will be easily recognized that the outer casing 15 is slightly bulged to accommodate the flanges 13. This bulge is purposely exaggerated in Fig. 4, in order to render the structure of our improved clip more apparent. In practice we find that with the thickness of the tube 15 of about $1/32$ of an inch, that the thickness of the flange 13 of $5/1000$ of an inch is of ample strength to securely support the clip in the

casing 15 and the bulge in the casing 15 is not perceptible.

In order to assemble the clip in the casing 15 it is only necessary that the length of the hole 14 along a line at right angles to the section line 4—4, be greater than the extreme width of the clip over the flanges 13. The prong 11 is held at a line in right angles to the line of the casing 15 and the end 12 is inserted in the hole 14. The arch of the prong then permits the prong to be turned into a line parallel with the casing 15 with the base 12 of the clip inside of the casing. The inner tube 16 is then inserted and said tube may be made with a small taper on its forward end and this will serve to force the outer casing 15 into a slight bulge to accommodate the flanges 13.

If it is so desired, the base 12 of the clip may be tinned and the outside surface of the inner tube 16 may be tinned also. After said tube has been thrown to its position the entire assemblage will then be slightly heated and solder will flow, thus firmly uniting the inner tube 16 both to the clip 10 and the outer casing 15.

Many advantages result from the use of our improved clip, among which we may mention the fact that the outside surface of the base 12 of the clip may be substantially flush with the outside surface of the casing 15. The stock of which the clip 10 is made is preferably somewhat thicker than the thickness of the outer casing 15; therefore, the base 12 projects above said casing 15 when the clip is first inserted. After the inner tube 16 has been inserted the base 12 may be polished down until it is flush with the outside casing 15.

A further advantage of our improved structure results from its cheapness of manufacture and assemblage. It will be noticed that there is an entire absence of any riveting operation required for its attachment to the casing 15 and that the clips when attached are extremely strong.

While in the drawings which disclose the preferred embodiment of our invention we have shown the outside casing 15 bulged slightly by the flange 13, yet there are several other ways of accomplishing substantially the same result, which will be obvious to those skilled in the art. One way is to make

the inner tube 16, which serves to hold the flange 13 to the inside surface of the casing 15, slightly smaller than the inside diameter of the casing 15. This expedient will avoid the bulge in the outside casing. Another method is to use the tube 16 of approximately the same diameter as the inside of the diameter of casing 15 and to make a flat portion on the tube 16 opposite the flange 13. Either of the above described methods is the substantial equivalent of the method disclosed in the drawings, the essential feature of our improved mode of fastening being the provision of an outside tube having a hole therein adapted to receive the base of the clip and having said base provided with an extending portion which is adapted to be clamped in some manner to the inside surface of the outer casing 15.

Throughout the specification we have referred to the clip as used for pencils. However, it will be recognized that this is not the only use to which it may be put. It may be used as a guard for any small object, such as a clinical thermometer case, etc., which it is wished to hold securely in one's pocket, and we consider such use as well within the scope of our invention.

Many departures and variations may be made from the precise structure herein disclosed without departing from the spirit of our invention, since we claim:

1. In a pencil clip the combination of a clip having a flexible portion, a base portion, a flange on said base portion, a tube having one opening smaller than said flange and means to secure said flange to the inside of said tube.

2. In a combined pencil and clip the combination of a tube having a hole therein, a clip having a base adapted to enter said hole, a flange slightly larger than said hole attached to said base, a flexible portion at-

tached to said base and means for holding said base in contact with the inside of said tube.

3. In a combined pencil and clip the combination of a clip having a spring portion and a base integral therewith, said base having a body portion and extending flange portion, a tube having a hole adapted to receive said body portion, and a second tube inserted in the first tube and adapted to contact with said base to hold said base and attached flexible clip securely to said outer tube.

4. In a combined pencil and clip a combination of a clip having a base and a flexible portion integral therewith, a flange formed integral with said base, an outside casing for said pencil having an opening adapted to receive said base and an inside tube for said casing adapted to clamp said flange to the inside of said tube.

5. In a combined pencil and clip the combination of a clip having a base, a flexible portion and a flange integral therewith, a tube having a hole therein, said hole being of the shape of said base, but smaller than said flange, and a second tube adapted to be inserted in said outside tube to thereby clamp said flange between said inner tube and the inside of said outer tube.

6. In a pencil clip the combination of a pencil casing having hole therein, a clip having a base portion of substantially the thickness of said casing and adapted to fit in said hole, a flange attached to said base portion and means for holding said flange in contact with the inside of said casing whereby the surface of said base portion may be brought to substantially coincide with the outside of said casing.

In witness whereof we have hereunto subscribed our names.

JOHN C. WAHL.
WILLIAM H. ODLUM.