

May 26, 1931.

C. R. SHEAFFER

1,807,227

FOUNTAIN PEN DESK SET

Original Filed Feb. 12, 1926

Fig. 1.

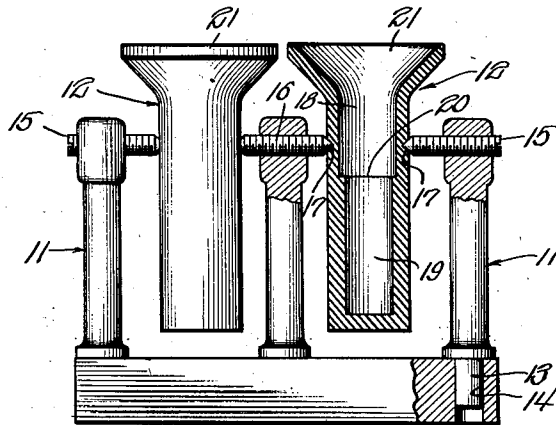
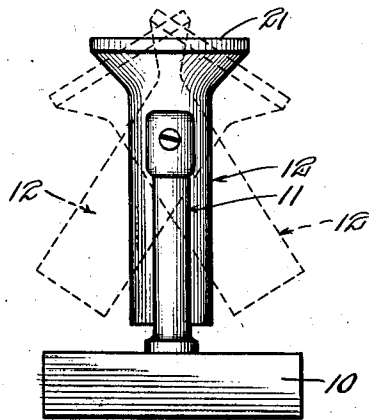


Fig. 2.



Inventor:
CRAIG R. SHEAFFER

By Jones, Addington, Ames & Seibell
attys

UNITED STATES PATENT OFFICE

CRAIG R. SHEAFFER, OF FORT MADISON, IOWA, ASSIGNOR, BY MESNE ASSIGNMENTS,
TO PEN DESK SET COMPANY, A CORPORATION OF ILLINOIS

FOUNTAIN PEN DESK SET

Application filed February 12, 1926, Serial No. 87,732. Renewed December 19, 1930.

This invention relates to fountain pen desk sets and relates particularly to fountain pen desk sets which comprise a base, a receptacle for holding a fountain pen and a support for said receptacle.

In large organizations where a great amount of office help is employed, the exorbitant rentals demanded for office space make it necessary to be conservative in the allotment of individual space to the office employee. It is common practice for two employees to use the same desk, sitting at opposite sides thereof and facing each other.

This arrangement not only minimizes the amount of space required, but also makes it possible for two or more to use the same office fixtures and supplies. In the use of a common fixture for more than one individual seated at a single desk, care must be taken to avoid its being elaborate as the same conservation of space is desirable on the desk.

As a result of the present invention, a compact device requiring a minimum of space is provided and comprises a plurality of receptacles for holding fountain pens so disposed on a supporting structure that they may be adjusted at the will of the users to meet any need arising from a common use of such a device.

One of the objects of this invention is to provide a compact, practical and desirable fountain pen desk set.

A further object of this invention is to provide a fountain pen desk set in which the receptacles are pivotally mounted in spaced-apart relation with the base and which are adjustable about said pivot to any desired position.

For a better understanding of the nature, scope and characteristics of this invention, reference may be had to the following description and to the accompanying drawings, in which drawings:

Figure 1 is a front view of the device partially shown in section, and

Fig. 2 is a side elevational view.

Referring more particularly to the drawings, the device comprises a base 10, a plurality of supporting members 11 and receptacles 12. The base member 10 may be of plate

glass, statuary bronze metal, or any suitable substance, and formed into any desirable shape, although it is preferable in order to conserve space, to make the base comparatively thick and limit the width and length thereof to the smallest size necessary for the mounting of the supporting structure.

The supporting members 11 comprise a plurality of metal uprights, preferably having reduced portions 13, for engaging apertures 14 in the base 10. If a glass base be used, a cementitious material may be used to secure the supporting member in position, whereas in practically all other forms of bases, a drive fit between the reduced portion and the aperture is alone necessary. A screw 15 having a pointed end is threaded in each of the outer supporting members 11 adjacent the upper ends thereof and a screw 16, having both ends pointed, is preferably threaded in the central supporting member adjacent the upper end thereof and in axial alignment with the screws 15.

The receptacles 12 are formed preferably of a pyroxylin plastic composition, or of compositions such as are known to the trade as bakelite, radite, etc. Small depressions 17 are disposed at diametrically opposite points on the periphery of the receptacle and provide means of engagement for the points of the screws. These receptacles may be set in any desired position, using the screws as pivot points and, upon the tightening of the screws 15, the receptacles are fixed in such a position.

It is to be noted that with the use of a supporting member common to both receptacles, the receptacles may be positioned more closely together thereby conserving space as well as materially reducing the cost of production. By the same token, should five receptacles be used, only six supporting members need be used.

An opening 18 is formed in the receptacle and is reduced at its lower end 19 to form a shoulder 20 to snugly engage the lower end of a fountain pen. The upper end of the barrel is flared as at 21, so as to guide the pen into the opening 18.

It is apparent that, with the use of the pres-

55

60

65

70

75

80

85

90

95

100

ent construction, the users may sit at opposite sides of the table and dispose the receptacles at such an angle that the fountain pen is held in a position so as to be grasped by the hand in the manner which is ordinarily used in holding a pen for writing, one of the receptacles facing one of the users and the other receptacle facing the other user.

It will also be obvious that a greater number of receptacles may be disposed upon a single base, the intermediate screws loosely journaled in the intermediate supporting members and the two outermost screws threadedly engaging their respective supporting members. The tightening of the outermost screws will cause the several intermediate receptacles to become securely fixed in position.

Although this device has been described with reference to its adaptability for use as a common fixture for two or more users in an office, it is apparent that it may be adapted to meet the requirements of many other needs and occasions in the home or office.

While a single embodiment of this invention is herein shown and described, it is to be understood that the invention is not to be limited to this structure or the details thereof, since various other forms will be apparent to one skilled in the art and consequently the invention is to be limited only by the scope of the appended claims and the prior art.

I claim:

1. A fountain pen desk set comprising a flat base adapted to be placed on top of a desk, a plurality of supporting members secured to said base, a plurality of receptacles disposed between said supporting members, and a screw journaled in each of said supporting members, said screws engaging said receptacles to hold the latter in various positions of angular adjustment in which the ink in the pen flows toward the writing point.

2. A fountain pen desk set comprising a flat base adapted to be placed on top of a desk, a plurality of supporting members secured to said base, a plurality of receptacles disposed between said supporting members, each pair of adjacent receptacles having a single supporting member common to both, and means adapted to hold said receptacles in various positions of angular adjustment.

3. A fountain pen desk set comprising a base, a plurality of supporting members secured to said base, a screw member journaled in each of said supporting members, a plurality of receptacles disposed between said supporting members and mounted on said screw members, each pair of adjacent receptacles having a single screw member common to both, said screw members adapted to hold said receptacles in various positions of angular adjustment.

4. A fountain pen desk set comprising a flat base adapted to be placed on top of a

desk, a receptacle having means for holding and substantially sealing the writing mechanism of a fountain pen, supporting means secured directly to said base, and separate means adjustably secured to said supporting means for holding said receptacle in various positions of angular adjustment in which the ink in said pen flows toward the writing point thereof.

5. A fountain pen desk set set comprising a flat base adapted to be placed on top of a desk, a receptacle having means for holding and substantially sealing the writing mechanism of a fountain pen, supporting means secured directly to said base, and separate means on said supporting means for holding said receptacle in various positions of angular adjustment in which the ink in said pen flows toward the writing point thereof.

6. A fountain pen desk set comprising a flat base adapted to be placed on top of a desk, a receptacle having means for holding and substantially sealing the writing mechanism of a fountain pen, and supporting means for said receptacle, said supporting means comprising means secured directly to said base and means having adjustable engagement between said base secured means and said receptacle whereby said receptacle is held in various positions of angular adjustment in which the ink in said pen flows toward the writing point thereof.

In witness whereof, I have hereunto subscribed my name.

CRAIG R. SHEAFFER. 100

105

110

115

120

125

130