
(19) 

**Canadian
Intellectual Property
Office**

An Agency of
Industry Canada

**Office de la Propriété
Intellectuelle
du Canada**

Un organisme
d'industrie Canada

(11) **CA 238293** (13) **A**

(40) **04.03.1924**

(12)

(21) Application number: **238293D**

(51) Int. Cl:

(22) Date of filing: ..

(71) Applicant: **WADE LESLIE ROY.**

(72) Inventor: **WADE LESLIE ROY ().**

(54) **FOUNTAIN PEN**

(57) **Abstract:**

(54) **STYLO**

This First Page has been artificially created and is not part of the CIPO Official Publication

T O A L L W H O M I T M A Y C O N C E R N : -

BE IT KNOWN that I , LESLIE ROY WADE , of the City of London W.C.2 , No. 4 Duke Street , Great Britain , Merchant , having invented certain new and useful Improvements in or relating to fountain pens and the like, do hereby declare that the following is a full , clear, and exact description of the same .

This invention relates to fountain pens and similar writing implements such as style pens and pocket pencils , of the kind in which a longitudinally sliding sheath or cap more or less rotatable in relation to the body or barrel of the pen or pencil is connected with the said body by a bayonet slot attachment , whereby the said sheath can be drawn back to expose or pushed forward to cover the nib or writing point .

The principal object of the said invention is to produce an implement of the kind set forth in which the sheath is removable when required for filling purposes , although in ordinary use the sheath remains on the implement , this facility of removal also rendering the sheath interchangeable ; subsidiary objects being to render the operations by which the writing point is exposed and

covered easy of performance by one hand of the user ; and to avoid heating or compression of air or condensation of moisture within the sheath when closed , and conversely the suction of ink which often accompanies the bodily removal of a sheath or cap of the usual type .

According to this invention a loose-fitting sheath of about half the length of the body of the implement and open at both ends is provided about the middle of its length with an internally projecting pin or other projection adapted to engage inner and outer circumferential or partly circumferential grooves in the said body , which grooves communicate with longitudinal or perpendicular slots and contain rotatable brake rings . Equivalently the projection might be on the barrel and the grooves in the sheath .

In order that the said invention may be clearly understood and readily carried into effect , the same will now be described more fully with reference to the accompanying drawings illustrating an embodiment thereof in which :

Fig. 1 represents in elevation a fountain pen with the nib exposed .

Fig. 2 represents the same pen with the nib covered.

Fig. 3 is an elevation of the sheath detached .

Fig. 4 is an elevation of the body of the pen without sheath .

Fig. 5 is an elevation of the same taken at an angle of about 120° in relation to that in figure 4 .

Fig. 6 is a diagram showing a linear developement of the grooves on the body of the pen shown in Figs. 4 and 5.

Fig. 7 is a perspective view of one of the brake rings detached .

Fig. 8 represents a detachable plug .

A indicates the body of the pen , B the nib , C

the sheath. In the body A is formed a circumferential groove D, below which is a groove or channel E of increased depth and only partly circumferential, the unreduced part F of the body forming a stop or abutment between the two ends of the said channel. A lower circumferential groove G is adjacent to a similar partially circumferential groove or channel H, which is interrupted by a similar stop or abutment J which is downwardly directed. A brake ring K of spring metal is fitted into the groove D and has feet or projections L, M, divided by a slot N and overlapping the channel E. A similar metal brake ring P is fitted into the groove G and has projections Q, R overlapping the channel H and divided by a slot S. The ring K can be partly rotated to bring its slot N opposite a short slot or groove T in the body A. The channels E and H are joined by a vertical or other slot or groove U. A pin V in the sheath C is adapted to work in the grooves E, H, T and U. A short screw-threaded plug W can be secured in either of two internally screw-threaded parts formed respectively in the rear of the body A and in the tip of outer end of the sheath C, which latter if made of vulcanite or the like may be strengthened at its tip by a screw-threaded metal ferrule or liner; or a small detachable member of other suitable shape may be used instead of a screw-threaded plug.

In the writing position shown in Figure 1 the pin V in the sheath is assumed to be projecting through the slot S in the lower brake ring P into the channel H while the projection R on the said brake ring is against the stop J. The frictional resistance of the ring P to rotation in the groove G causes the nib B to be steadily supported during writing.

To effect the change into the position shown in Fig. 2, the sheath is turned to the left to bring the slot S into alignment with the slot or groove U; the sheath is then

pushed forward so that the pin V travels up the groove U into the slot N in the upper brake ring K , through which the said pin passes into the channel E , and the sheath can then be turned slightly to the right to secure same . When the nib will be protected by the sheath and can be carried in the pocket in the usual manner , a spring clip of known or suitable type being if desired secured on the sheath to engage the edge of the pocket . If however the pen is to be carried in a wallet or handbag , the plug W can be taken from the rear of the pen body and screwed into the open top of the sheath to prevent the entrance of dust or other matters , or the shaking out of ink if the bag is swung or knocked .

The pen body which contains the ink reservoir may be provided with any known or suitable devices for enabling the reservoir to be replenished .

When it is desired to remove the sheath C from the pen for filling or any other purpose , the sheath in the position shown in Fig. 2 is turned further to the right until the projection M on the ring K comes against the other side of the stop F when the slot N comes opposite the short slot T at the top of the body A , and the pin V , with a slight pressure on the sheath to overcome the resistance of the ring K , can be pushed out through the said slot T , setting free the sheath , which can be taken off the pen in a longitudinal direction . The ring K prevents the barrel from dropping out of the sheath when carried in the pocket .

The grooves or channels E and H may go nearly around the body of the pen as indicated , but it will be sufficient for the performance of their functions as described if they go about halfway round it . These grooves E and H as shown and described above are of greater depth than the grooves D and G , but if the feet M and R are made with sharp-

ly inclined faces at the sides of the slots N and S respectively, to increase the resistance of the rings K and P to the passage of the pin V , the diameter of the body A at the partially circumferential groove E may be the same as at the circumferential groove D , that is to say , the groove E may be simply an extension of the groove D , and similarly the groove G may be widened but not deepened at the part H.

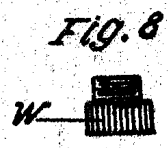
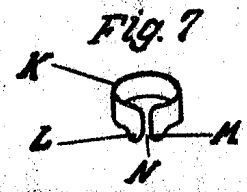
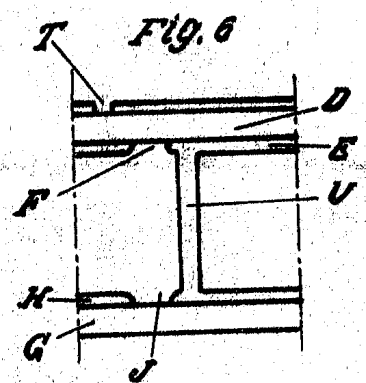
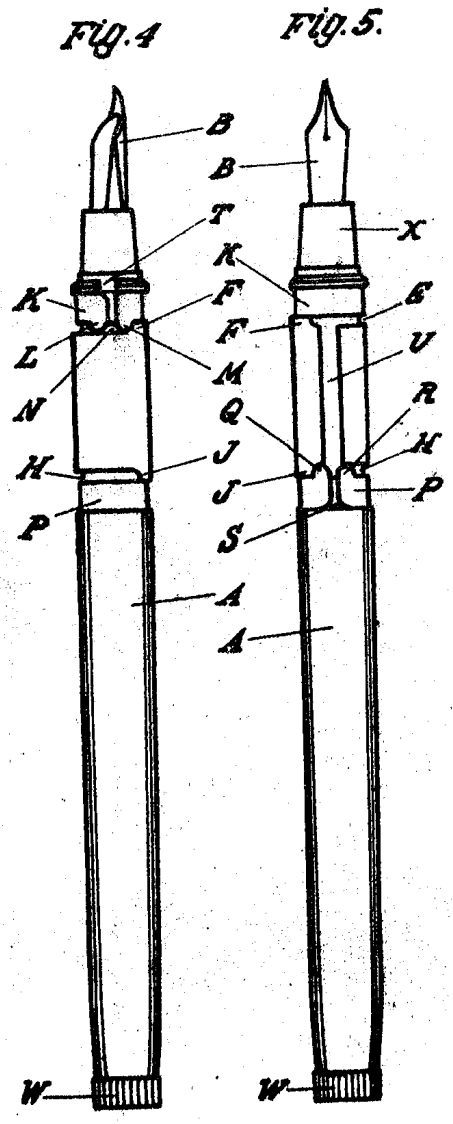
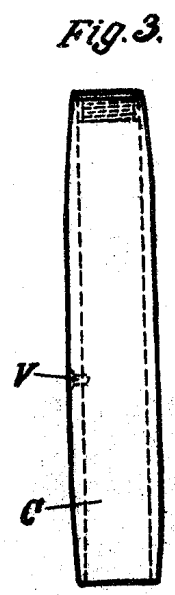
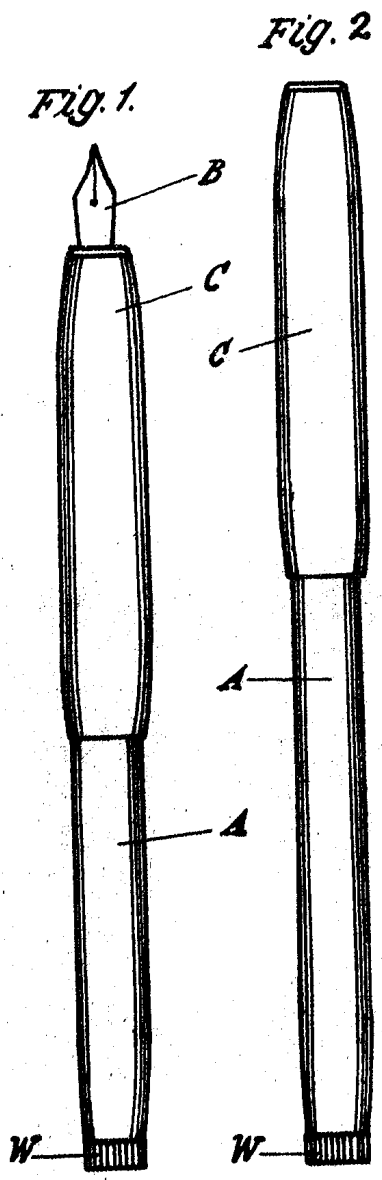
The end X of the body A is slightly reduced in diameter and in the writing position is covered by the sheath , which does not in any of the positions described touch this reduced part .

What I do claim as my invention , and desire to secure by letters patent , is :-

1.- A writing implement of the kind set forth comprising a sheath of about half the length of the body of the implement and open at both ends , an internal projection at about the middle of the length of said sheath adapted to engage inner and outer grooves in said body , which grooves communicate with longitudinal slots for enabling adjustment and removal of the said sheath to be effected .

A
2.- A writing implement as set forth in claim 1 , in which grooves in the body of the implement are provided with spring brake rings , for the purposes specified .

238293



Certified to be the drawings referred to in the specification hereunto annexed.
 Witnesses: *G. Edwards* London *2nd January 1923* Inventor: *L. W. Wede*
L. Edwards December 1922 *L.W.*
 By *[Signature]* Attorney