

May 13, 1930.

L. J. MOST

1,758,199

PEN DESK SET

Filed July 24, 1929

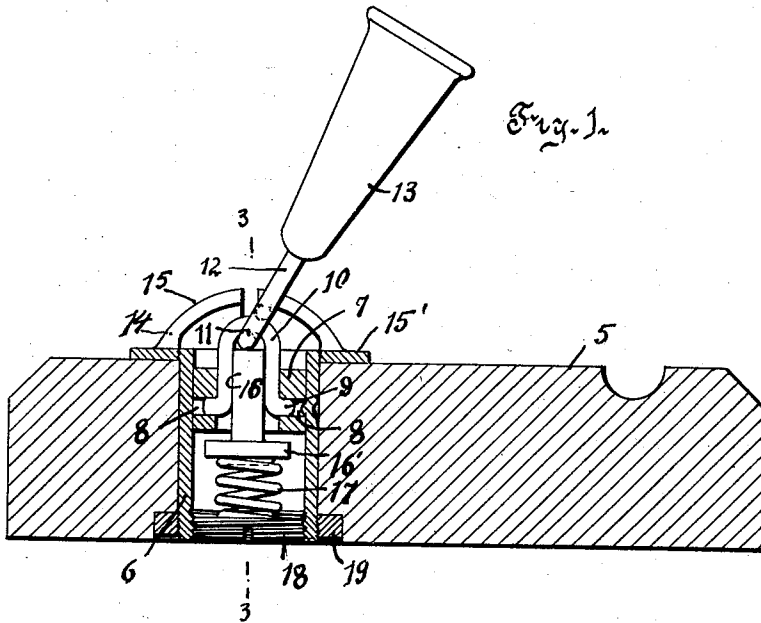


Fig. 2

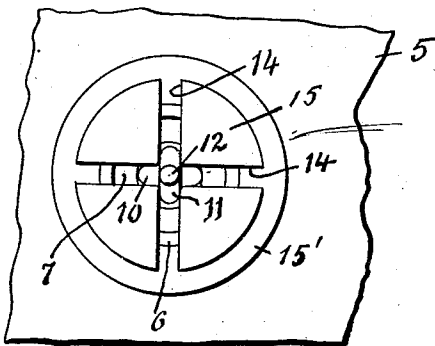


Fig. 3

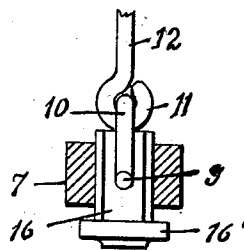


Fig. 4



Inventor  
L. J. Most

By his Attorney

# UNITED STATES PATENT OFFICE

LUCIFER J. MOST, OF NEW YORK, N. Y., ASSIGNOR TO MABIE TODD & CO., OF  
NEW YORK, N. Y.

## PEN DESK SET

Application filed July 24, 1929. Serial No. 380,550.

My invention relates to desk sets for fountain pens and the object is to provide a set which permits the pen holder or support on the desk set to move in predetermined channels.

A further object of the invention is to provide a set with a mechanism for the pen holder support which will permit the use of various types of covers over the mechanisms to suit the base of the set and its ornamentations.

In the appended drawing, Figure 1 is a section through a desk set embodying my invention.

Figure 2 is a plan view of the mechanism with the supporting funnel for the pen removed.

Figure 3 is a fragment of a section on line 3-3, Figure 1.

Figure 4 is a plan view of the plunger.

Referring to the drawings, 5 is the base apertured to accommodate a sleeve 6 which houses near the top of the base a ring 7. The ring has two diametrically opposite holes 8 which receive the bent ends 9 of a staple 10. The ring 7 is secured to the sleeve 6 by indenting a portion of the sleeve in one of the holes 8; any other method of retaining the ring firmly in the sleeve may be used. The curved part of the staple 10 projects out of the ring and is engaged by the eye 11 of a bar or rod 12 extending from a pen holder support 13.

A plunger 16 fitted into the ring 7 has flat sides to accommodate the staple 10. The end of the plunger below the ring is provided with a head 16' on which a seat for a spring 17 is formed. The other end of said spring engages a plug 18 which is threaded into the sleeve 6. Under the action of the spring 17, the upper end of the plunger forces the eye 11 of the bar 12 to bear against the curved part of the staple 10.

The bar 12 projects through one of the slots 14 of a cover 15 which in the present instance is shown to be the segment of a sphere, which has a flange 15' by means of which it can be secured to the base or to the sleeve as the case may be, as shown, it is threaded to the sleeve 6. The projecting end of the bar 12 is anchored to a pen holder support which is

in the shape of a funnel 13. The lower end of the sleeve 6 is threaded to receive a nut 19 for which a proper recess is provided in the base and whereby the entire mechanism in proper relation may be locked in the base.

The engagement of the staple with the eye permits the funnel to swing in the plane of the staple and also in the plane of the eye which are at right angles to one another. In consequence, the slots 14 are also disposed at right angles to one another and when the device is set in position, one of the slots 14 of the cover 15 is set in the plane of the staple. This permits the movement of the pen holder support 13 in two vertical planes above the base, and in any position in said planes above the base due to the frictional engagement between the eye and the staple under the action of the spring.

In cases where it is desirable to have a cover which is disk shaped or of angular shape, such for example as pyramidal, prismatic or a frusto-conical shape, the length of the bar 12 between the eye 11 and the funnel is proportionally adjusted to pass the angular points of the cover.

For it is apparent from the description and drawing that the only other function outside of forming a cover is to guide the pen holder support as it swings on the staple.

It will be noted that the staple cannot rotate, and once the device is set into the base, the relation between the cover and the mechanism proper cannot be disturbed by the motion of the funnel.

I claim:

1. A pen desk set comprising a base, a sleeve in the base, a ring in the sleeve fixed thereto, a staple fixed in the ring, a bar having an eye engaging the staple, a plunger in the ring engaging the staple, a plug closing the lower end of the sleeve, a spring between the plug and plunger for maintaining the eye of the bar against the staple, a cover over the top of the sleeve having slots for guiding the swinging movement of the bar on the staple and a pen holder support secured to the bar.

2. A pen desk set comprising a base, a staple in the base, a pen holder support having an eye engaging the staple, a yielding

member maintaining a frictional engagement between the eye and staple, and a cover over the staple on the base having guiding slots for the pen holder support.

5 3. A pen desk set comprising a base, a staple anchored in the base, a pen holder support having an eye engaging the staple, a yielding member maintaining a frictional engagement between the eye and staple, and a  
10 cover over the eye and staple on the base having slots for guiding the pen holder support when the same is moved on the staple.

4. In a pen desk set, a base, a pen holder support mounted to swing in planes at angles to each other and to the base, and stationary  
15 means on the base for guiding the pen holder support.

5. In a pen desk set, a base, a pen holder support mounted to swing therein in planes  
20 angular to the base, and stationary slotted means on the base through which the pen holder support projects for guiding its swinging movement.

6. In a pen desk set, a base, a pen holder support, a mechanism in the base connected to the pen holder support so that the same can  
25 swing in planes perpendicular to the base, and a cover on the base over the mechanism having guiding slots through which the pen  
30 holder support projects, said slots in the cover guiding the swinging movement of the pen holder support.

7. In a pen desk set, a base, a pen holder support mounted to swing in planes at right  
35 angles to each other and to and from the base, and stationary means on the base having guiding means for the swinging movement of the support.

LUCIFER J. MOST.

40

45

50

55

60

65