

N<sup>o</sup> 20,490



A.D. 1912

Date of Application, 9th Sept., 1912

Complete Specification Left, 10th Mar., 1913—Accepted, 14th Aug., 1913

PROVISIONAL SPECIFICATION.

**Improvements in or relating to Fountain or Reservoir Pens.**

I, ERNEST MACAULEY WADE, of 13, Hope Street, Liverpool, in the County of Lancaster, Fountain Pen Manufacturer, do hereby declare the nature of this invention to be as follows:—

5 This invention relates to fountain or reservoir pens, and has for its object to provide a safety stylographic pen, that is a pen in which the writing end may be retracted into—so as to be shrouded and protected by—the body of the pen when not required for use.

10 According to one mode of embodying my invention, I provide within a pen body or barrel a rod or stem which is adapted to be projected and retracted in any convenient manner, as for instance by means of an internal tube provided with a spiral slot, as commonly used in reservoir pens of the known safety type. At the lower end of said rod or stem is attached a needle or stylus say  
15 containing the tubular writing end or point through which said needle or stylus passes, said section being screwed to said rod or stem and the inner end whereof may be provided with flats and one or more slots or apertures to permit of the ingress of air to the pen.

20 According to a modified construction of pen, said actuating rod or stem, which carries said needle and writing end is tubular and within same is disposed a rod to which is secured the needle or stylus. Screwed to the lower end of said tubular rod or stem (which may be enlarged and provided with an air aperture) is a pen section containing a tubular writing end or point through which the needle or stylus passes.

25 By adjusting said lower pen section on its stem the projection of the needle or stylus through the tubular writing end may be regulated.

Said pen section may if desired be constructed of celluloid or the like transparent or translucent material in order that the ink within same may be rendered visible.

30 Dated this 7th day of September, 1912.

JOHN HINDLEY WALKER,  
139, Dale Street, Liverpool,  
Agent for the Applicant.

COMPLETE SPECIFICATION.

35 **Improvements in or relating to Fountain or Reservoir Pens.**

I, ERNEST MACAULEY WADE, of 13, Hope Street, Liverpool, in the County of Lancaster, Fountain Pen Manufacturer, do hereby declare the nature of this

[Price 8d.]



*Improvements in or relating to Fountain or Reservoir Pens.*

invention and in what manner the same is to be performed, to be particularly described and ascertained in and by the following statement:—

This invention relates to fountain or reservoir pens of the type which embodies a stylographic writing end and means whereby said writing end may be retracted into—so as to be shrouded and protected by—the body or barrel of the pen, when not required for use.

A fountain or reservoir pen according to my invention is characterised by the following construction:—

There is provided within the pen body or barrel a rod or stem which is adapted to be projected and retracted in any convenient manner, as, for instance, by means of an internal tube provided with a spiral slot, as commonly used in reservoir pens of the known "safety" type. At the lower end of said rod or stem is attached—either directly or indirectly—a needle or stylus, and also secured—as by screwing—to the lower end of said rod or stem is a stylographic pen "section" containing a tubular end or "point" through which said needle or stylus is adapted to pass, which section may be provided with flats and/or one or more slots or apertures to permit of ingress of air to the pen.

By adjusting said pen section on said stem the projection of the needle or stylus therefrom may be regulated.

Said pen section may if desired be constructed of celluloid or the like transparent or translucent material in order that the ink within same may be rendered visible.

I will further describe my invention by the aid of the accompanying sheet of explanatory drawings, which shows in Figure 1 in front elevation partly in section a pen construction, the outer barrel being shown in dotted lines, while Figure 2 is a side elevation of the upper part detached.

In the drawing *a* represents a vulcanite or other tube provided with a spiral slot *b*, and *c* is a rod or stem having a projection *d* adapted to lie and move within a longitudinal slot formed in the inner well of the pen barrel, so that by the rotation of the top *a*<sup>1</sup> which is integral with tube *a* said stem *c* is projected or retracted. Within the lower end of said stem *c* there is formed a cavity or socket in which is disposed the upper end of a rubber or vulcanite spring piece *e* to the lower end whereof is secured the writing needle or stylus *f*. In lieu, however, of securing said writing needle or stylus *f* indirectly to said stem *c* by means of said spring *e*, a coil spring may be formed at the upper end of said needle or stylus and connected directly in any convenient manner to said stem.

*g* is a stylographic pen section provided with a tubular end or "point" *h* through which the needle or stylus *f* passes; the lower end of said section *g* is internally tapped with a screw thread *g*<sup>1</sup> and adapted to screw on to the externally screw threaded extremity *c*<sup>1</sup> of said stem *c*. Said section *g* is provided with an air duct or groove *i* and ink slots or passages *j*.

On screwing or unscrewing said section *g* on said stem *c*, the extent of projection of said needle or stylus *f* from the writing "point" *h* may be regulated.

Having now particularly described and ascertained the nature of my said invention, and in what manner the same is to be performed, I declare that what I claim is:—

1. A fountain or reservoir pen which embodies a rod or stem disposed within the barrel, a needle or stylus attached either directly or indirectly to said rod or stem; a pen section secured, preferably in an adjustable manner, to said rod or stem; and means for actuating said rod or stem for the purpose specified.

2. In a fountain or reservoir pen as characterised by the preceding claim, a pen section adapted to be screwed on to said actuating rod or stem, provided with air duct or ducts, an ink slot or slots or openings; substantially as described.

---

*Improvements in or relating to Fountain or Reservoir Pens.*

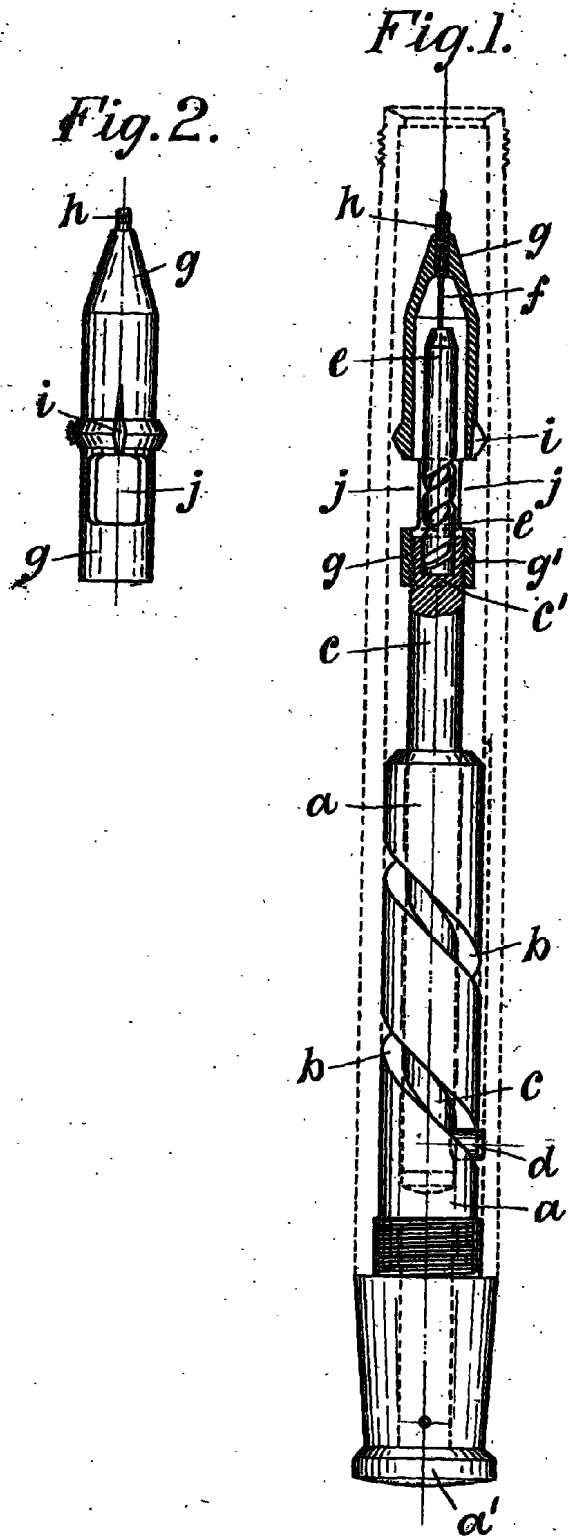
---

3. The complete fountain or reservoir stylographic pen constructed substantially as hereinbefore described, and as illustrated in the drawing annexed hereto.

Dated this 8th day of March, 1913.

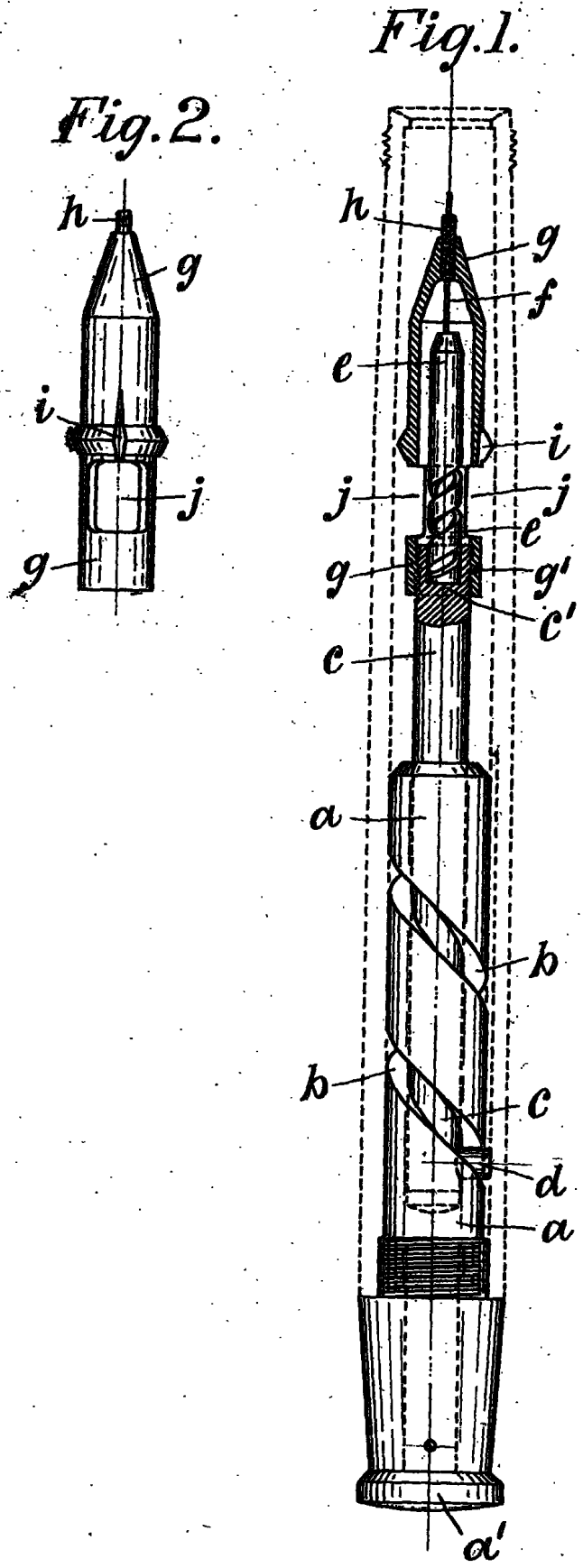
JOHN HINDLEY WALKER,  
139, Dale Street, Liverpool,  
Agent for the Applicant.

[This Drawing is a reproduction of the Original on a reduced scale.]



BIRMINGHAM  
REFERENCE LIBRARY  
1912

[This Drawing is a reproduction of the Original on a reduced scale.]



BIRMINGHAM  
REFERENCE LIBRARY  
1912

SHEET 1

HAM  
A LIBRARY  
© LIBRARIES

oto-Lite.