

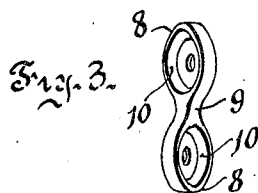
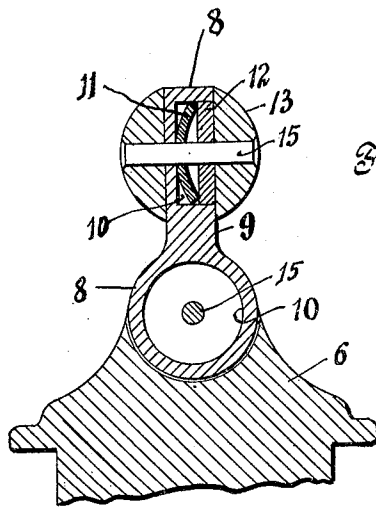
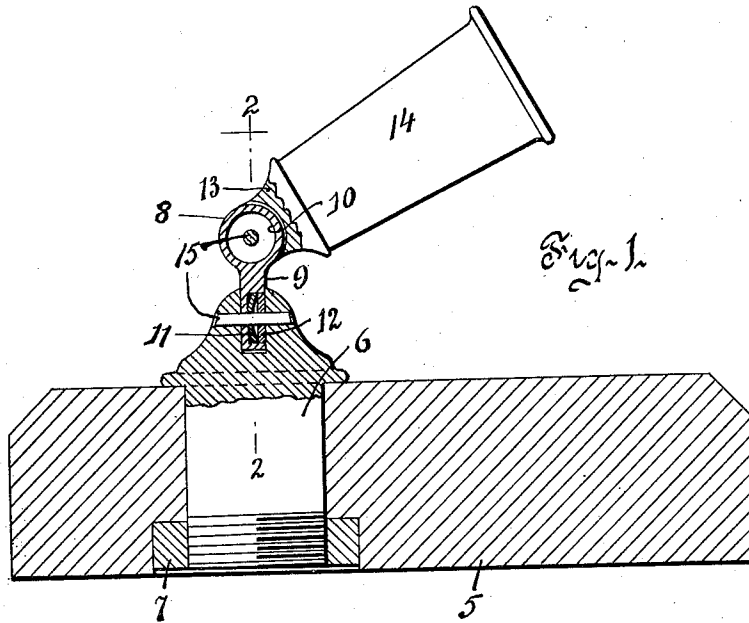
June 16, 1931.

L. J. MOST

1,809,985

PEN DESK SET

Filed Nov. 13, 1929



Inventor
L. J. Most.

By his Attorney

B. J. Hoffe

UNITED STATES PATENT OFFICE

LUCIFER J. MOST, OF NEW YORK, N. Y., ASSIGNOR TO MABIE TODD & CO., OF NEW YORK COUNTY, NEW YORK

PEN DESK SET

Application filed November 13, 1929. Serial No. 406,741.

My invention relates to desk sets for fountain pens and the object of my invention is to provide a simple and inexpensive set which permits the pen holder of the desk set to move in planes at right angles to one another on pivots or hinges disposed above the base.

In the appended drawings, Figure 1 is a section through a desk set embodying my invention.

Figure 2 is a fragmentary section on line 2—2 Figure 1, and

Figure 3 is a perspective view of the swivel link, which connects the pen holder to the stud carried by the base of the desk set.

Referring to the drawings, the base 5 is provided with a stud 6, locked to the base by a nut 7, recessed in the base. The portion of the stud 6 rising above the base is slotted to receive one of the circular portions or sections 8 of a link 9, the two portions 8 of the link being at right angles to one another, as best shown in Figure 3. Each of the portions 8 has a cylindrical recess 10 for nesting a spring washer 11 and a friction washer 12. The portion 8 of the link 9, lying above the stud, is engaged by the slotted end of the pen holder carrier 13 to which the pen holder 14 is connected in any suitable way.

Each of the portions 8 is connected respectively to the stud 6 and the carrier 13 by a pin 15, for which suitable openings are provided in the stud, portions 8 of the link, and the carrier respectively.

In consequence, the carrier 13 can swing on the stud 6 in planes at right angles to each other, in view of the provision of the link 9 between said stud and said carrier 13. The frictional washer 12 and the spring washer 11 in the portion 8 of the link 9, which engages the stud 6, are made to offer greater resistance than those provided in the portion 8 which is engaged with the carrier 13.

From the above description, it will be seen that the pen carrier is really hinged to the base 5 to swing in two vertical planes at right angles to one another, on two pivots disposed above the base at right angles in two different horizontal planes in the normal position of the carrier on the base.

I claim:

1. A pen desk set, comprising a base, a pen carrier and means connecting the pen carrier to the base, on two pivots at right angles above the base in different horizontal planes in the normal position of the carrier.

2. A pen desk set comprising a base, a fixed stud in the base, a pen carrier, and a link hinged to the carrier and stud in two different horizontal planes disposed above the base in the normal position of the carrier.

3. A pen desk set comprising a base, a fixed stud in said base, a pen carrier, a link hinged to the holder and to the stud in two substantial horizontal planes disposed above the base in the normal position of the carrier, and friction elements carried by the link and engaging the carrier and the stud.

4. A pen desk set comprising a base, a stud in the base, a pen carrier, a link having portions at right angles for engaging the stud and carrier, and friction means carried by the portions of the link for engaging the stud and carrier respectively, the friction means for the stud being of greater resistance than that for the carrier.

5. A pen desk set comprising a base, a stud in the base, a pen carrier, a link having portions at right angles for engaging the stud and carrier, said link portions being recessed and friction elements in said recessed portions of the link, the friction elements for the stud being of greater resistance than the friction elements for the carrier.

6. A pen desk set comprising a base, a fixed stud in the base, a link hinged to the stud so that the axis of the hinge is substantially in a horizontal plane, a pen carrier hinged to the link so that its axis is at right angles to that of the hinge between the link and the stud, and friction elements associated with the hinges of the link with the stud and carrier, the friction elements of the stud being of greater resistance than the friction elements for the carrier.

LUCIFER J. MOST.

55

60

65

70

75

80

85

90

95

100