

PATENT SPECIFICATION

380,267

Application Date: Oct. 2, 1931. No. 27,441 / 31.

Complete Left: Feb. 25, 1932.

Complete Accepted: Sept. 15, 1932.

PROVISIONAL SPECIFICATION.



Improvements in or relating to Stands for Pens and the like.

We, THE NAMIKI MANUFACTURING COMPANY LIMITED, a British Company, of 87, Bishopsgate, London, E.C.2, do hereby declare the nature of this invention, which has been communicated to us by Kabushiki Kaisha Namiki Seisakusho, a Company organised under the laws of Japan, of 1356, Sugamo-Machi, Kitatoyoshima, Tokyo, Japan, to be as follows:—

This invention relates to stands for pens and the like and more particularly to fountain pen stands or desk sets of the kind comprising a tubular holder adapted to receive a pen and which is mounted upon a base.

In the known constructions, the base of the tubular holder is provided with a ball which is adapted to fit into a cup or spherical socket mounted on the base.

The object of this invention is to provide an improved construction of stand for pens and the like.

To this end, a stand for pens and the like constructed in accordance with this invention comprises a tubular holder adapted to receive a pen or the like, mounted in a member the base of which is curved, and a plinth or base having a recess therein to receive a portion of the curved base of the said member, said member being retained in said recess by magnetic means.

In one construction, for example, a tubular holder for a pen is mounted in the centre of a hemispherical shell of metal, for example, iron.

The plinth or base of the stand, which may be composed of any suitable material, is formed with a recess large enough to receive a portion of the curved base of the iron shell. Fitted in the plinth is a horse shoe permanent magnet with the poles thereof under the recess therein.

The poles of the magnet may be formed with two raised bosses, recessed and curved to receive the curved portion of the iron shell.

It will be seen that the hemispherical shell with its pen holder can be swung in any position, that is, it constitutes a universal joint and it will remain in any desired position.

The plinth or base may be of any desired shape and may be fitted or formed with pen rests and the like.

The space between the tubular holder and the wall of the shell may be fitted with sponge or other suitable material to serve as a pen wiper.

Dated the 2nd day of October, 1931.
WM. BROOKES & SON,
No. 1, Quality Court, Chancery Lane,
London, W.C.2,
Chartered Patent Agents.

COMPLETE SPECIFICATION.

Improvements in or relating to Stands for Pens and the like.

We, THE NAMIKI MANUFACTURING COMPANY LIMITED, a British Company, of 87, Bishopsgate, London, E.C.2, do hereby declare the nature of this invention, which has been communicated to us by Kabushiki Kaisha Namiki Seisakusho, a Company organised under the laws of Japan, of 1356, Sugamo-Machi, Kitatoyoshima, Tokyo, Japan, and in what manner the same is to be performed, to be particularly described and ascertained in and by the following statement:—

This invention relates to stands for pens and the like and more particularly to fountain pen stands or desk sets of the

[Price 1/-]

kind comprising a tubular holder adapted to receive a pen and which is mounted upon a base.

In the known constructions, the base of the tubular holder is provided with a ball which is adapted to fit into a cup or spherical socket mounted on the base.

The object of this invention is to provide an improved construction of stand for pens and the like.

To this end, a stand for pens and the like constructed in accordance with this invention comprises a holder adapted to receive a pen or the like, mounted in a member, the base of which

is curved, and a plinth or base having a recess therein to receive a portion of the curved base of the said member, said member being retained in said recess by magnetic means.

The invention will now be described with reference to the accompanying drawings, in which Figure 1 is a sectional elevation of one form of stand constructed in accordance with this invention, and Figure 2 is a plan view thereof.

a is a tubular holder for the pen *b* and is mounted in the centre of the hemispherical shell *c* of metal, for example iron.

The space between the wall of the shell *c* and the tubular holder *a* is filled with sponge rubber or the like *d*.

e is an annulus or ring covering up the greater portion of the shell *c* but leaving a space large enough for the fountain pen nib to be passed therethrough to the sponge rubber which serves as a penwiper.

f is a circular plinth or base, composed of any suitable material, recessed on its underside to receive the horse shoe permanent magnet *g*. Said magnet is retained in position by means of the screws *h*.

The said plinth *f* is also formed with an aperture to receive the enlarged ends *g*¹ of the magnet *g*. The said ends *g*¹ are segmental bosses as seen in Figure 2 and are recessed, as seen in Figure 1, to constitute a circular bed or bearing for the hemispherical shell *c*.

The outer edge or periphery of the bosses *g*¹ is flush with the surface of the plinth *f*.

It will be seen that the hemispherical

shell with its pen holder can be swung in any position, that is, it constitutes a universal joint and it will remain in any desired position.

The plinth or base *f* may be fitted or formed with pen rests and the like.

Having now particularly described and ascertained the nature of our said invention and in what manner the same is to be performed, we declare that what we claim is:—

1. A stand for pens and the like comprising, a holder, adapted to receive a pen or the like, mounted in a member, the base of which is curved, and a plinth or base having a recess therein to receive a portion of the curved base of the said member, said member being retained in said recess by magnetic means.

2. A stand for pens and the like as claimed in claim 1, characterized in that the holder for the pen is mounted in a hemispherical metallic member and is retained in a recess in the plinth or base by means of a permanent magnet mounted in said recess.

3. A stand for pens and the like, as claimed in claim 2, characterized in that the poles of the permanent magnet are formed with segmental bosses having recessed upper surfaces to serve as a bed or bearing for the hemispherical member.

4. A stand for pens and the like constructed substantially as described with reference to the accompanying drawings.

Dated the 25th day of February, 1932.

WM. BROOKES & SON,
No. 1, Quality Court, Chancery Lane,
London, W.C.2,
Chartered Patent Agents.

Fig. 1.

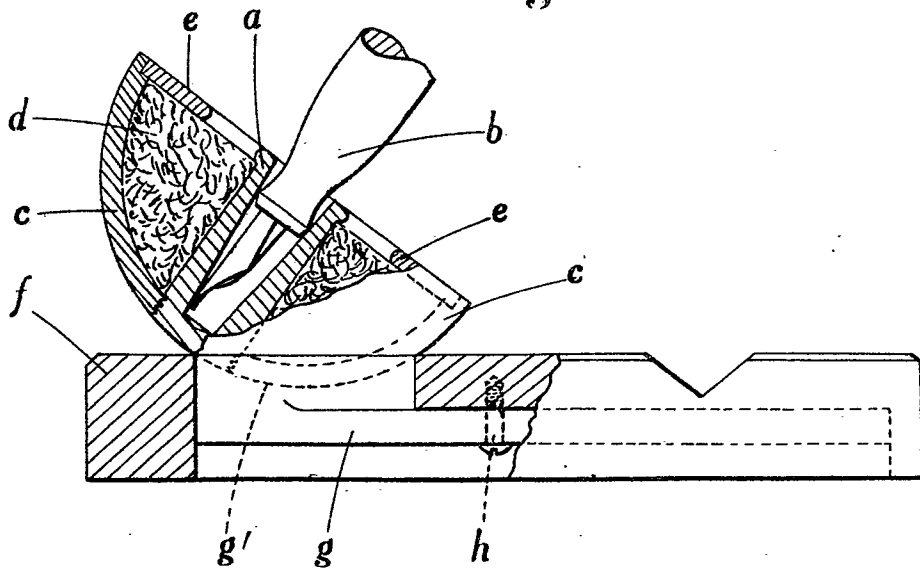
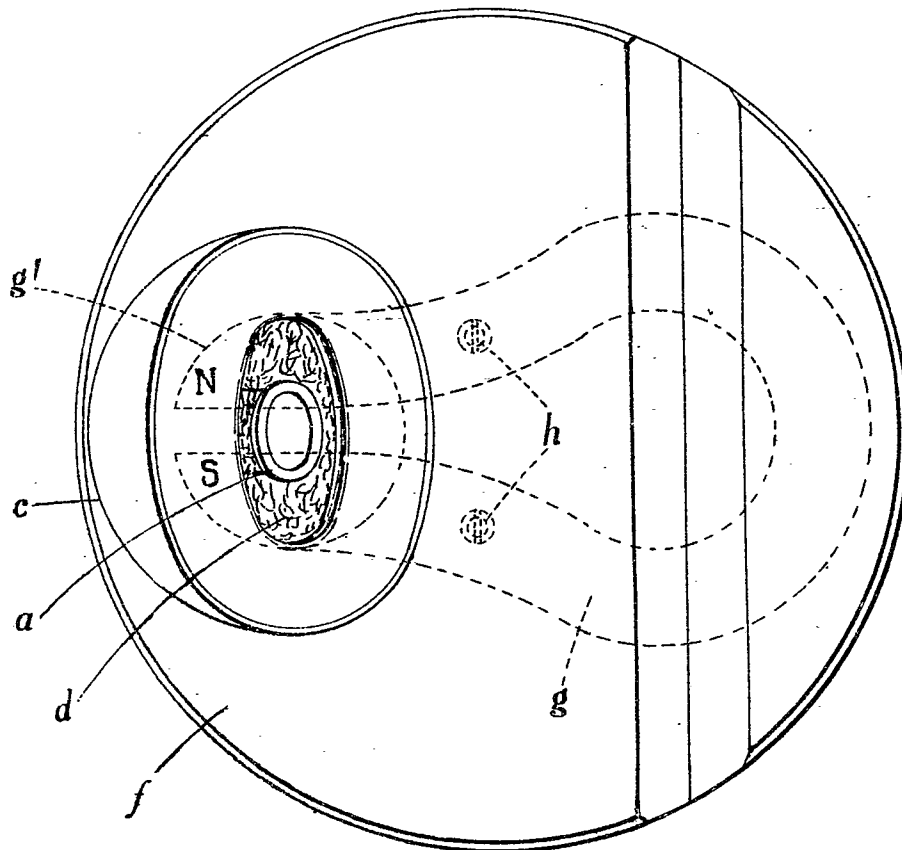


Fig. 2.



[This Drawing is a reproduction of the Original on a reduced scale.]