

May 24, 1938.

M. G. SYPHER

2,118,241

PEN DESK SET

Filed Dec. 1, 1936

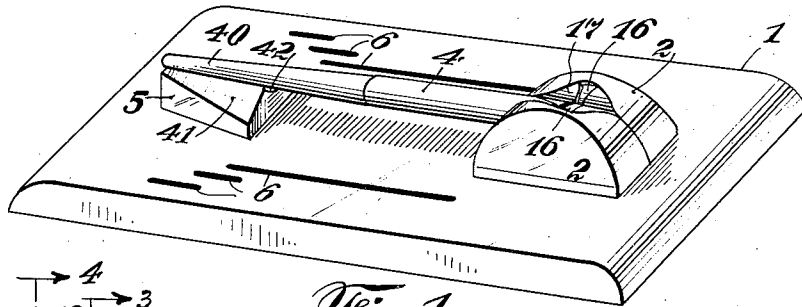


Fig. 1.

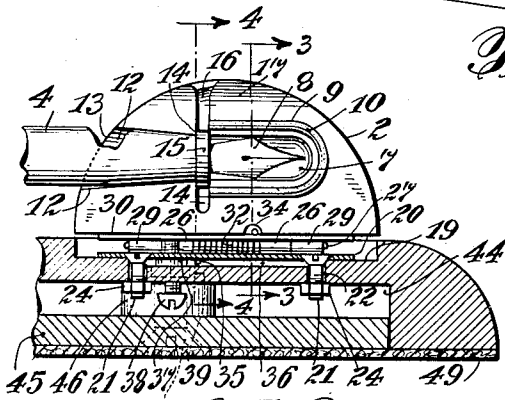


Fig. 2.

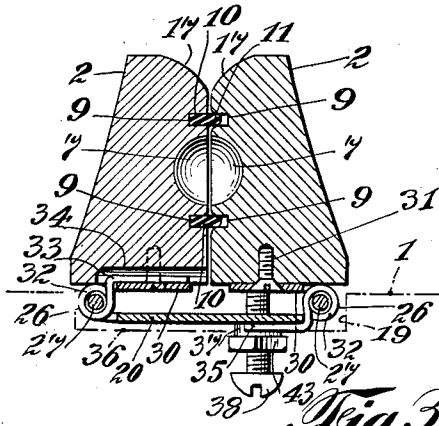


Fig. 3.

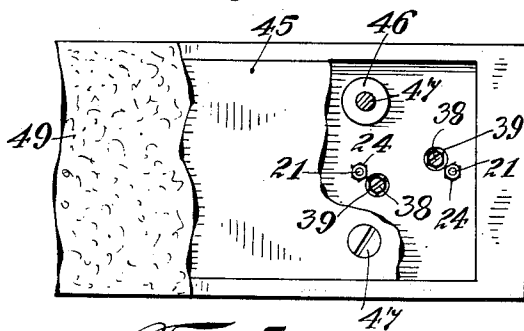


Fig. 5.

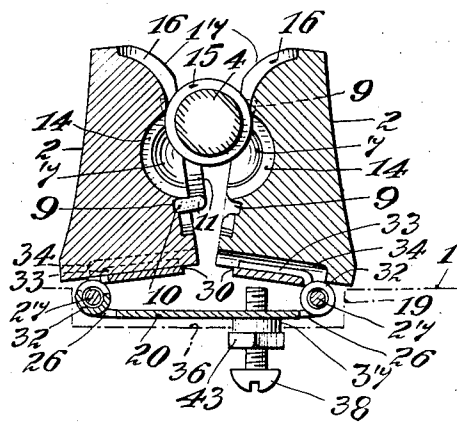


Fig. 4.

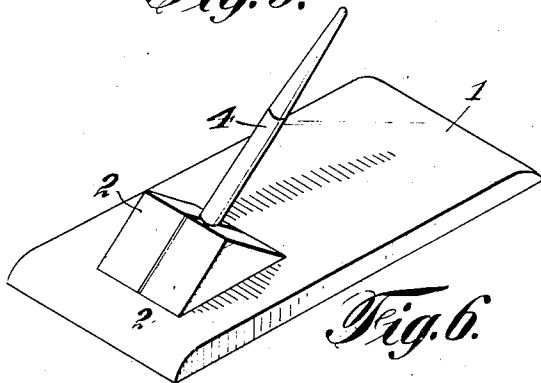


Fig. 6.

INVENTOR.
Milford Guy Sypher
BY Norman Holland
his ATTORNEY.

UNITED STATES PATENT OFFICE

2,118,241

PEN DESK SET

Milford Guy Sypher, Belleville, N. J., assignor to
The Chilton Pen Company, Inc., Long Island
City, N. Y., a corporation of New York

Application December 1, 1936, Serial No. 113,567

16 Claims. (Cl. 120—108)

The present invention relates to pen desk sets and more particularly to pen desk sets adapted to engage the writing end of a fountain pen or the like and hold the pen in a convenient position.

5 Pen desk sets usually comprise a tubular member adapted to receive and support the writing end of a fountain pen and an adjustable swivel mounted in a base and connected to the lower end of the tubular member to permit the pen to be supported in various inclined positions with respect to the base. An objection to these sets is that such swivels are expensive to make and difficult to assemble and are not adapted to withstand the rough usage to which they may be subjected. Also, holding the pen in an inclined position is not satisfactory because the nib has a tendency to bleed or leak which results in the loss of ink and soiling of the desk set. In some cases, the upwardly extending end of the pen holder is in the way of the person using the desk, particularly if large sheets of paper are spread upon the desk. Another objection is that the nib frequently is damaged when the user of the pen attempts to place it into the tubular part. In order to overcome these objections, desk sets have been utilized which hold the pen in substantially horizontal position, but these have not been successful because they did not hold the pen securely or did not seal the nib and feed bar from the atmosphere to prevent the ink from drying, or were too expensive to make and too complicated to operate.

The present invention aims to provide a simple, inexpensive pen desk set for securely engaging the nib end of a fountain pen holder or the like to hold the pen in a convenient position so that it may be readily removed and replaced, but yet will not be in the way of the person using the desk. The invention also aims to seal the nib end of the pen to prevent the ink from evaporating or drying.

An object of the present invention is to provide a simple, inexpensive and attractive desk set for holding a fountain pen or the like in a convenient position to permit it to be easily removed and replaced.

Another object of the invention is to provide a pen desk set for supporting a fountain pen in a position which prevents damage to the nib thereof.

Another object of the invention is to provide a desk set for clamping the nib end of a fountain pen holder to hold the pen against accidental movement.

55 Another object of the invention is to provide

resilient means for normally holding the clamping members in pen gripping position.

Another object of the invention is to provide means for adjusting the position of the clamping members to insure proper engagement of the pen. 5

Another object of the invention is to provide a device for housing the nib end of a fountain pen adapted to seal the nib and feed bar from the atmosphere.

Another object of the invention is to provide suitable means for guiding a fountain pen into clamping relation with the desk set by sidewise movement thereof to facilitate inserting the pen into the clamping device. 10

A further object of the invention is to provide suitable guide means adapted to facilitate removing the pen from the desk set. 15

Other and further objects of the invention will be obvious upon an understanding of the illustrative embodiment about to be described, or will be indicated in the appended claims, and various advantages not referred to herein will occur to one skilled in the art upon employment of the invention in practice. 20

A preferred embodiment of the invention has been chosen for purposes of illustration and description and is shown in the accompanying drawing, forming a part of the specification, wherein 25

Fig. 1 is a perspective view illustrating a preferred embodiment of the invention;

Fig. 2 is an elevational view, partly in section, of one of the pen clamping members;

Fig. 3 is a sectional view taken along the line 3—3 of Fig. 2, illustrating the pen nib sealed from the atmosphere; 35

Fig. 4 is a sectional view taken along the line 4—4 of Fig. 3 illustrating the pen clamping means slightly parted during removal or insertion of a pen holder;

Fig. 5 is a fragmentary bottom plan view, partly in section, showing a preferred base construction; and 40

Fig. 6 is another embodiment of the invention.

Referring again to the drawing and more particularly to Figs. 1 to 5, there is shown a pen desk set comprising a base 1, a pair of pivotally mounted clamping members 2 adapted to engage the pen nib end of a fountain pen 4, and an upwardly extending portion 5 on the base adapted to support the other end of the pen holder. The base and the clamping members may be constructed of any suitable material but preferably are made of a molding material, such as a synthetic resin, which is attractive in appearance 55

and can be readily molded. The base may have any suitable ornamental shape and may be provided with decorative portions 6 applied thereto in accordance with the method described in my
 5 co-pending application, Serial No. 24,518, filed June 1, 1935. The clamping members and the holder supporting portion preferably have an attractive shape, herein illustrated as semi-circular, to give the desk set a pleasing appearance.

10 The clamping members, about to be described, are mounted adjacent to each other. They are substantially symmetrical in their preferred form and are provided with corresponding recesses which cooperate to provide a substantially tubular
 15 housing for the nib end of a fountain pen. Each of the clamping members is provided with a substantially horizontal recess 7 closed at one end to form a chamber for receiving the pen nib of a fountain pen or the like. In order to seal
 20 the chamber, a suitable groove 9 may be provided in each of the clamping members, which extends about the top, bottom and closed end of the recesses and is adapted to receive a rubber sealing gasket 10 or the like. The gasket preferably
 25 is permanently secured in the groove 9 of one of the clamping members and projects outwardly therefrom to provide a portion 11 adapted to fit into the groove 9 of the other clamping member when the clamping members are held in
 30 normally closed relation (Fig. 3). The groove 9 which receives the portion 11 of the gasket preferably is rounded at its edges 8 or is V-shaped to facilitate entry of the gasket. If desired, however, the gasket grooves may be omitted and a
 35 suitable gasket may be cemented or otherwise secured to one of the clamping members and provided with a surface adapted to contact the surface of the other clamping member to form a seal.

40 In order to hold the fountain pen securely between the clamping members, each clamping member 2 has a recess 12 extending longitudinally outwardly from the recess 7 which terminates in an opening 13. Preferably, the recesses 12 conform
 45 substantially to the shape of the pen holder at the nib end of the pen and are flared slightly at their open ends to facilitate inserting the holder between the clamping members.

The clamping members 2 may each be provided
 50 with an upwardly extending groove 14 intermediate the recesses 7 and 12, the grooves cooperating to receive a rib, bead or projection 15 on the end of the pen holder and to lock the holder against accidental removal in a longitudinal direction with respect to the recesses 7 and 12.
 55 The grooves 14 preferably are semi-circular (Fig. 4) and cooperate with each other to provide a circular groove for embracing the rib or bead 15 of the pen to seal the nib within the chamber.

60 To facilitate removing the pen holder by lifting it upwardly, a groove 16 extends upwardly from each of the grooves 14 and terminates substantially at the upper end of the clamping members. The grooves 16 are also designed to guide
 65 the rib or bead 15 on the pen holder into the grooves 14. For this purpose, the grooves flare sidewardly or are enlarged at their upper ends to provide a funnel-shaped groove for guiding the rib on a fountain pen downwardly when the
 70 pen is forced between the clamping members. In order to facilitate spreading the clamping members and to gain access to the grooves 16, the upper portions of the clamping members may be notched or bevelled downwardly at 17 to provide
 75 a converging guiding recess for the pen holder.

Preferably, the clamping members are pivotally mounted to the top of the base to permit them to be moved apart during removal or replacing of the pen. A preferred device for accomplishing
 5 this result comprises a plate or mounting member 20 concealed in a recess 19 in the upper surface of the base and secured to the base by screws or bolts 21 extending through apertures 22 in the
 10 base having nuts 24 threaded thereto. The plate 20, preferably, is provided with spaced trunnions 26 at each side thereof for receiving pins 27 carrying trunnions 29 of hinge members 30 secured to the bottom of the clamping members by screws
 31 or other suitable means.

The clamping members preferably are normally
 15 held in closed position by resilient means which herein are illustrated as a coiled spring 32 mounted on each of the pins 27 between the spaced trunnions 26. The springs are each provided with a laterally extending portion 33 at one end seated
 20 in a groove 34 at the bottom of the clamping members which bears downwardly against the top of the hinge members 30 and are each provided with an extending portion 35 at the other
 25 end which bears upwardly against the bottom of the mounting plate 20. Preferably, the recess 19 in the upper surface of the base 1 is grooved to receive the spring portions 35 or has a deeper recess portion 36 therein so that the plate lies flush
 30 with the bottom of the recess 19.

In some instances, it may be desirable to adjust the position of the hinge members 30 with respect to the plate 20 to hold the clamping members carried by the hinges in proper pen receiving
 35 position. To accomplish this, the mounting plate 20 is provided with a threaded bushing 37 at each side thereof for receiving an upwardly extending screw 38 adapted to act as a stop for engaging the bottom of the hinge member 30 and to limit
 40 downward movement thereof. By threading the screw upwardly or downwardly, the distance which the hinges move downwardly toward the base can be accurately adjusted so that corresponding recesses of the clamping members 2
 45 register properly. The screws and bushings extend through apertures 39 formed in the base so that they do not interfere with the mounting of the plate 20. Preferably, the screws are held in adjusted position by nuts 43 to prevent them
 50 from being moved out of adjustment by the action of the hinge members thereon.

If desired, the top end 40 of the pen holder may be supported by a suitable supporting member 41 having a groove 42 therein shaped to fit the end
 55 40 of the pen. The supporting member preferably has an ornamental shape and may be integral with the base or may be attached thereto.

While any suitable base construction may be utilized, the present invention contemplates using
 60 a base formed of a synthetic molding compound which may be readily molded into any desired shape and can be provided in a great number of colors or combinations of colors. Such materials have definite advantages over marble or onyx in that they are less expensive and can withstand
 65 rough usage without danger of breaking. The amount of material required for the base is reduced to a minimum by providing an enlarged recess 44 at the underside of the base, which preferably conforms to the shape of the base.
 70 This recess provides a space for the bushings 37, adjusting screws 38, and the screws 21 and nuts 24 for securing the plate member 20 carrying the clamping members 2. To give the base sufficient weight to prevent it from sliding or tipping
 75

when it is placed on a desk, a heavy plate 45 formed of iron, lead or other suitable material, may be seated in the recess 44 with its bottom flush with or slightly above the bottom of the base. The plate 45 is spaced from the underside of the recess 44 by threaded lugs or bushings 46 adapted to receive screws 47 extending through the plate and connecting the plate to the base. The plate preferably is concealed by a strip of felt 49 or other suitable materials adapted to act as a cushion.

In Fig. 6 a modified desk set is shown wherein the pen holding recesses are inclined with respect to the base so that the holder is held in an inclined position. If desired, the clamping members may be triangular in shape to harmonize with the inclination of the pen. The clamping members preferably are similar to the clamping members 2, described in the preferred embodiment, and the preferred base may likewise be utilized.

The operation of the pen desk set described above will be understood by referring more particularly to Figs. 3 and 4 of the drawing. In Fig. 3 the clamping members 2 are shown held in normal or closed position by the springs. The recesses 7 cooperate to form a chamber for the nib 8 of the pen while the gasket portion 11 extends into the groove 9 of one of the clamping members to form a seal. The grooves 14 seat the rib or bead 15 of the pen holder and the pen holder is clamped between the recesses 14. When the pen is removed, it is lifted upwardly as shown in Fig. 4 whereby the grooves 14 and 16 guide the rib 15 to spread the clamping members apart in opposition to the springs. After the pen is removed, the springs close the clamping members to exclude dust or dirt. The pen may be replaced by placing the rib 15 into the grooves 16 which guide the rib to grooves 14. The holder upon downward movement then bears against the notch or recess 17 to spread the clamping members to receive the nib end of the pen. When the pen is inserted in this manner, the pen nib does not come in contact with any of the holder parts and cannot be damaged. If desired, the pen may also be replaced by inserting the nib end into the opening 13 of the recesses 12, and pushing the nib end of the holder against the flare of the recesses which act as a cam to spread the clamping members.

It will be seen that the present invention provides a simple, inexpensive pen desk set adapted to retain a fountain pen or the like in a convenient position. The pen is securely clamped against accidental longitudinal or lateral movement and the nib is sealed from the atmosphere. The devices for mounting the pen clamping means are concealed and do not mar the appearance of the desk set. The clamping means can be readily adjusted at the factory and will remain in adjusted position during the life of the set. The base is attractive in appearance and provides a suitable support for the holder. The parts of the present device are rugged in construction and can readily withstand any rough usage to which they may be subjected.

As various changes may be made in the form, construction and arrangement of the parts herein without departing from the spirit and scope of the invention and without sacrificing any of its advantages, it is to be understood that all matter herein is to be interpreted as illustrative and not in a limiting sense.

Having thus described my invention. I claim:

1. A pen desk set comprising a base, a member having a recess therein for receiving the nib end of a fountain pen, and an upwardly extending recess substantially at the middle of said first recess for receiving a bead or rib at the nib end of the fountain pen, a second member adjacent to said first member having recesses therein cooperating with the recesses of said first member to retain a fountain pen therein, and means for pivotally mounting said members on said base.

2. A pen desk set comprising a member having a recess therein for receiving the nib end of a fountain pen, and an upwardly extending recess for receiving a bead or rib at the nib end of the fountain pen, said second recess being wider at its upper end than at its lower end to facilitate inserting the pen by sidewise movement thereof, and a second member adjacent to said first member having cooperating recesses adapted to provide a holder for a fountain pen, and a base for mounting said members.

3. A pen desk set comprising a base, a member having a recess therein for receiving the nib end of the holder of a fountain pen, and a second recess for receiving a bead or rib at the end of the holder, one of said recesses being flared to facilitate inserting the pen, a second member adjacent to said first member having recesses therein adapted to cooperate with the recesses of said first member to provide a support for a fountain pen, and means for mounting said members on said base.

4. A pen desk set comprising a base, a pair of adjacent partible members pivotally mounted on said base having recesses therein adapted to cooperate to provide a chamber for receiving the nib of a fountain pen, sealing means extending about the recess of one of said members and adapted to cooperate with the other of said members to provide a seal, and means for normally urging said members toward each other to render said sealing means effective.

5. A pen desk set comprising a base, a pair of adjacent substantially symmetrical partible members each having a longitudinally extending recess therein for receiving the pen nib end of a fountain pen or the like, said recesses cooperating with each other to provide a substantially tubular chamber for supporting the fountain pen, a base, and hinge members for mounting said members on said base adapted to normally hold said members adjacent each other.

6. A pen desk set comprising a member having a recess therein for receiving the pen nib end of a fountain pen or the like, a second member having a recess therein adapted to cooperate with the recess of said first member to provide a chamber for supporting the fountain pen, a base, means for pivotally mounting said members adjacent to each other on said base, and resilient means for normally urging said members towards each other so that said recesses provide the chamber.

7. A pen desk set comprising a member having a recess therein for receiving the pen nib end of a fountain pen or the like, a second member adjacent to said first member having a recess therein adapted to cooperate with the recess of said first member to provide a portion for supporting the fountain pen, a base, means for pivotally mounting said members to permit said members to be moved apart and towards each other, resilient means for urging said members toward each other, and adjustable means adapt-

ed to limit the movement of said members towards each other.

8. A pen desk set comprising a base, a pair of hinge members pivotally mounted on said base, a clamping member connected to each of said hinge members, said clamping members having cooperating recesses therein providing a chamber portion for receiving the nib end of a fountain pen, resilient means associated with said hinge members for urging said clamping members towards each other, and an adjustable member adapted to engage one of the hinge members to limit movement thereof in one direction.

9. A pen desk set comprising a base, a pair of hinge members pivotally mounted on said base, a clamping member connected to each of said hinge members, said clamping members having cooperating recesses therein providing a chamber for receiving the nib end of a fountain pen, resilient means associated with said hinge members for normally urging said clamping members towards each other to hold the fountain pen in the chamber, and a supporting member on said base for supporting the opposite end of the pen.

10. A fountain desk set comprising a base, a pair of partible members adjacent to each other, and hinge means for mounting said members on said base, said members having cooperating recesses for receiving the nib end of a fountain pen between them and having a notch portion at the top thereof to facilitate placing the pen into said recesses by moving the pen downwardly with respect to said members, said members having a recess at said notch portion for receiving a bead or rib on the pen to guide the pen between said members.

11. A fountain desk set comprising a base, a pair of partible members adjacent to each other, and hinge means for mounting said members on said base, said members having cooperating recesses for receiving the nib end of a fountain pen between them and having a notch portion at the top thereof to facilitate placing the pen into said recesses by moving the pen downwardly with respect to said members, said members having a downwardly converging recess at said notch portion for guiding a bead or rib on the pen to properly position the pen in the recesses between said members.

12. A fountain desk set comprising a base, a pair of partible members adjacent to each other, hinge means for mounting said members on said base, said members having cooperating recesses for receiving the nib end of a fountain pen between them and having a notch portion

at the top thereof to facilitate placing the pen into said recesses by moving the pen downwardly with respect to said members, said members having a downwardly converging recess at said notch portion for guiding a bead or rib on the pen to properly position the pen in the recesses between said members, and resilient means for urging said members towards each other.

13. A base for a fountain pen desk set, comprising a base member having a recess on the underside thereof adapted to receive a weight member, lug portions in said recess extending downwardly therein to space the weight member from the underside of the base member at said recess, and a weight member secured to said lug portions having its bottom substantially flush with the bottom of the base member, said base member having means at the top thereof for mounting a pen supporting device.

14. A fountain pen desk set comprising a base, a pair of partible members adjacent each other, hinge means for mounting said members on said base, and resilient means associated with said hinge means for normally urging said partible members toward each other, said members having cooperating recesses providing a chamber for receiving the nib end of a fountain pen and having a flared guiding recess adjacent said first recess to facilitate prying said members apart in opposition to said resilient means by moving the pen towards the chamber.

15. A fountain pen desk set comprising a base, a pair of partible members adjacent each other, hinge means for mounting said members on said base, and resilient means associated with said hinge means for normally urging said partible members toward each other, said members having cooperating recesses providing a chamber for receiving the nib end of a fountain pen and having a notch portion at the top thereof to facilitate prying said members apart in opposition to said resilient means by moving the pen downwardly towards the chamber.

16. A pen desk set comprising a base, a pair of adjacent substantially symmetrical partible members each having a longitudinal recess closed at one end and facing the recess of the other member to provide a chamber for the nib end of a fountain pen or the like, means for pivotally mounting said members on said base to permit said members to be moved apart and towards each other, and adjustable means adapted to limit the movement of said members toward each other to cause the recesses of said members to register and provide the chamber.