

Dec. 27, 1932.

A. I. FERRIER

1,892,523

DESK SET FOR FOUNTAIN PENS

Filed June 6, 1927

2 Sheets-Sheet 1

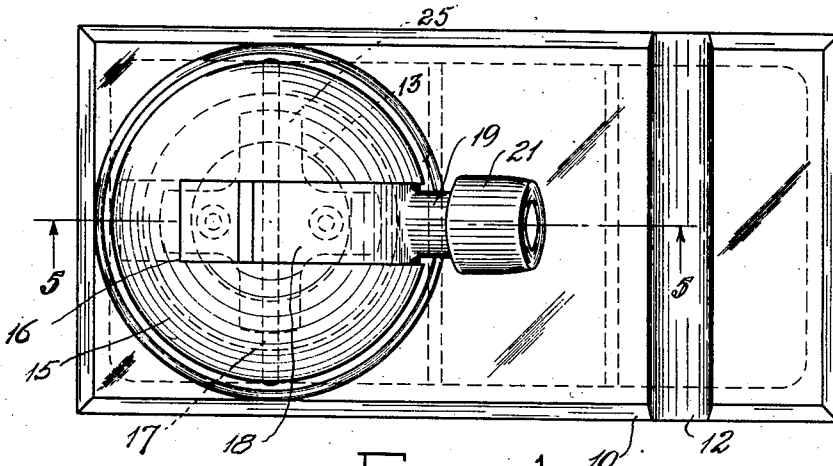


FIG. 1.

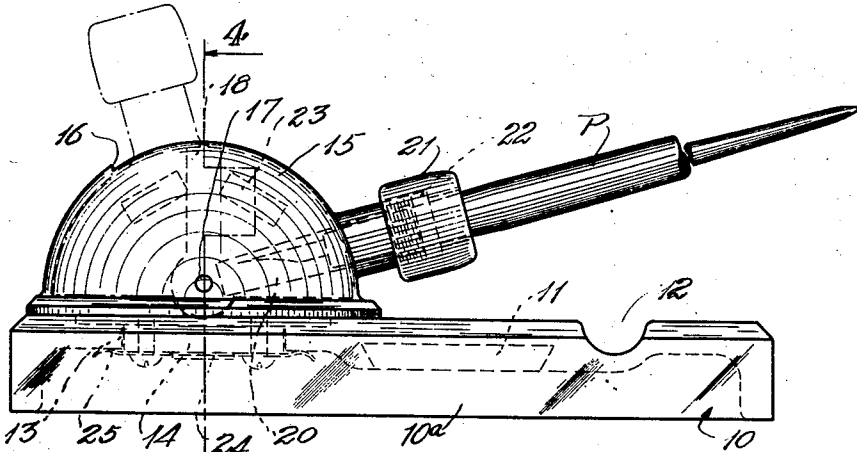


FIG. 2.

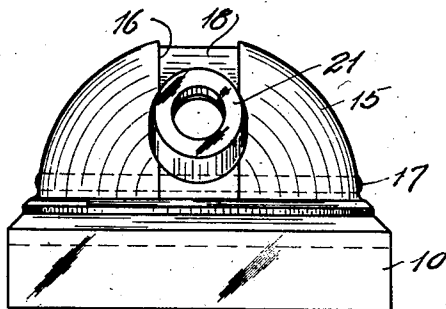


FIG. 3

Inventor
ALEX. I. FERRIER.

L. N. Cicci
Attorney

UNITED STATES PATENT OFFICE

ALEXANDER INNES FERRIER, OF FLINT, MICHIGAN, ASSIGNOR, BY MESNE ASSIGNMENTS, TO PEN DESK SET COMPANY, OF CHICAGO, ILLINOIS, A CORPORATION OF ILLINOIS

DESK SET FOR FOUNTAIN PENS

Application filed June 6, 1927. Serial No. 196,867.

This invention relates to a desk fountain pen set for supporting an uncapped fountain pen on a desk.

One important object of the invention is to improve the general construction of devices of this character.

A second important object of the invention is to provide an improved device of this kind wherein the fountain pen may be supported in the device at any desired angle to the surface of the desk and in any direction about a vertical axis passing through the base of the device.

A third important object of the invention is to provide a novel construction whereby the pen receiving part of the device will be frictionally held in any desired position.

A fourth important object of the invention is to provide improved means for frictionally supporting the pen and at the same time preventing evaporation of the ink in the pen.

With the above and other objects in view as will be hereinafter apparent, the invention consists in general of certain novel details of construction and combinations of parts hereinafter fully described, illustrated in the accompanying drawings and specifically claimed.

In the accompanying drawings like characters of reference indicate like parts in the several views, and:

Figure 1 is a plan view of one form of structure embodying my invention;

Fig. 2 is a side view of the structure shown in Fig. 1;

Fig. 3 is an end view of the structure shown in Fig. 1;

Fig. 4 is a vertical section taken substantially on line 4—4 of Fig. 2;

Fig. 5 is a section taken substantially on line 5—5 of Fig. 1;

Fig. 6 is a separated elevational view of that portion of the device of the preceding figures which supports the writing instrument;

Fig. 7 is a section taken substantially on line 7—7 of Fig. 6;

Fig. 8 is a top plan view of the plate structure for tensionally seating the rotatable base-carried member in the base; and

Fig. 9 is a section taken substantially on line 9—9 of Fig. 8.

In carrying out this invention there is provided a base 10 preferably of rectangular form and hollow beneath providing an enlarged bottom opening 10^a, a suitable weight 11 being molded in the base to give the same the necessary weight to hold the base properly on the desk. Also this base is provided adjacent its front end with one or more pen and pencil grooves 12. Adjacent the rear end the base, there is provided with an opening 13 wherein rotatably fits the depending base portion 14 of a dome shaped hollow housing or base-mounted member 15 having a meridional slot 16. Extending at right angles to the slot 16 is a pivot pin 17 whereon is mounted a segment 18 from which projects a tubular boss or receptacle 19, the hollow of this boss or receptacle being extended inwardly toward the pivot pin 17 as shown at 20. On the outer end of this boss or receptacle there is screwed a hollow nut or cap 21 holding an elastic washer 22 between it and the adjacent part of the receptacle so arranged that when the pen P is inserted it will be gripped by this washer to form an airtight packing between the pen and nut or cap and to hold the pen in its intended position in the various positions of the pen and its receptacle. The segment on the boss 19 projects through the slot 16 and thus the pen and boss may be rocked to any desired angle about a horizontal axis as indicated in the full and dotted lines of Figure 2. On each side of the segment member 18 and molded therewith are springs 23 which bear against the adjacent sides of the slotted portion of the housing and thus frictionally and tensionally hold the hollow base in adjusted position. Secured to the underside of the base portion 14 of housing 15 is a plate or resilient washer-like member 24 having spring fingers 25 extending beneath the top part of the base opening 10^a as shown in Figures 1 and 2. By means of this construction the housing 15 may be rotated on a vertical axis passing through its center and it is pressed downwardly and tensionally held in any rotative position by the friction of the fingers 25 on the engaged

base surface. Thus with the base placed anywhere convenient to the user on the desk the pen may be swung up or down or about a vertical axis to any desired position.

5 There has thus been provided a simple and efficient device of the kind described and for the purpose specified.

10 It is obvious that minor changes may be made in the form and construction of the invention without departing from the material spirit thereof. It is not, therefore, desired to confine the invention to the exact form herein shown and described, but it is desired to include all such as properly come within
15 the scope claimed.

Having thus described the invention, what is claimed as new, is:

1. In a device of the class described, in combination, a base having a circular aperture therein, a partially slotted dome-shaped housing provided with a reduced lower extremity adapted to engage within the said aperture, mounted on the base for rotation on an axis vertical thereto, a pen holding member carried by the housing to rotate therewith on the axis thereof the said member being pivotally mounted within the said slot in the housing to rotate on a horizontal axis with respect thereto, friction spring means within the slot to yieldably retain the pen holding member adjusted relative to the housing, and a friction spring carried by the reduced lower extremity of the housing and adapted to engage the underside of the base to retain the housing adjusted relative to the said base.
20
25
30
35

2. In a device of the class described, in combination, a base having a circular aperture therein, a partially slotted dome-shaped housing provided with a reduced lower extremity adapted to engage within the said aperture, mounted on the base for rotation on an axis vertical thereto, a pen holding member carried substantially entirely within the said slot in the housing and adapted to rotate therewith, the said pen holding member being pivotally mounted within the housing to rotate on a horizontal axis with respect thereto, a friction spring secured to each side of the pen holding member and adapted to bear against the adjacent side of the slot to yieldably retain the pen holding member adjusted relative to the housing, and a friction spring carried by the reduced lower extremity of the housing and adapted to engage the underside of the base to retain the housing adjusted relative to the said base.
40
45
50
55

3. A desk stand for a writing instrument, comprising a base, a sleeve for receiving the end portion of a writing instrument, a T-headed trunnion carried by said sleeve, bearing means carried by said base for the T-head of said trunnion, whereby said sleeve is hingedly mounted on said base.
60

4. A desk stand for a writing instrument, comprising a base, a hollow bearing member
65

rotatably mounted on said base having a vertical slot, and a sleeve member for receiving the end portion of a writing instrument extending through said slot and a lateral trunnion on said sleeve member hingedly mounted in said bearing member.
70

5. In a desk set, the combination with a base, of a pen receptacle, a pair of members pivotally connected together for mounting said receptacle on said base, one of said members being connected to said receptacle and the other rotatably mounted in said base, and means associated with said base-mounted member for tensionally seating the same in said base and for rotation of the same and said receptacle under tension.
75
80

6. In a desk set, the combination with a base, of a pen receptacle, a pair of members pivotally connected together for mounting said receptacle on said base, one of said members being connected to said receptacle and the other rotatably mounted in said base, and spring means pressing said base-mounted member downwardly toward said base for tensionally holding said base-mounted member in any of the rotative positions.
85
90

7. In a desk set, the combination with a base, of a pen receptacle, a member associated with said receptacle, a second member associated with said base, means for swingably connecting said members together, and yieldable means securing said second member to said base for rotative movement of said second member relative to said base.
95
100

8. In a desk set, the combination with a base having an opening, of a pen receptacle, means connecting said receptacle to said base comprising a member attached to said receptacle, another member extending into said base opening, means swingably connecting said members, and spring means in said base opening connecting said second-named member to said base.
105

9. In a desk set, a base, a receiving receptacle, inter-connecting means between said base and receptacle for swinging movement of said receptacle upon said base, said means including a member mounted on said base, and spring means detachably connected to said member for securing said inter-connecting means to said base.
110
115

10. In a desk set, a base, a receiving receptacle, inter-connecting means between said base and receptacle for swinging movement of said receptacle upon said base, said means including a member mounted on said base, a fastening element on said member extending into said base, and means mounted in said base and detachably connected to said element for securing said inter-connecting means to said base.
120
125

11. In a desk set, a base having an opening therein, a receiving receptacle inter-connecting means between said receptacle and base including a member having a shoulder
130

seated upon the top of said base and a part depending from said shoulder and adapted to enter said opening, and a yieldable fastening device detachably engaging both said member
 5 part and said base to press said shoulder down into frictional engagement with said base.

12. A device for securing the receiving receptacle of a desk set to a base, comprising a pair of adjustable members secured to said
 10 receptacle and extending downwardly therefrom to engage the periphery of an aperture in said base, and adjustable means engaging one of said members and said base for adjustably securing said members in said aperture.

13. In a fountain pen desk set, a base adapted to rest on a desk, a receptacle having a closed and an open end, means for swingably connecting the closed end of the receptacle with the base so that the receptacle can be
 20 swung to any one of a plurality of positions of angular adjustment and be retained in such position until again moved, said means including a member seated on the base, and means mounted in said base and engaging said
 25 member for securing said member on the base in condition for variable positioning thereof without breaking its attachment connection.

14. In a device of the class described, a base having a circular opening therein with
 30 an internal downwardly facing shoulder, a pedestal member mounted for turning movements in said opening and having a stud projecting downwardly therefrom, a resilient washer having an opening receiving said stud
 35 and having its marginal edge engaging said shoulder to cooperate therewith to yieldingly retain the pedestal member seated in the opening, and means on said stud in holding engagement with the outer side of the washer.

15. In a desk set, a receptacle, a base, means mounting the receptacle on the base for rotation of the receptacle and movement of the receptacle to different angular positions including a position substantially flat upon the base,
 45 and separate tensioning means, one directly associated with the receptacle and the other independently associated with the base, for frictionally resisting angular displacement and rotation, respectively, of said receptacle.

16. In a desk set, a receptacle mounted therein for rotation and change of angular position, and a spring tension means for frictionally resisting angular displacement of said receptacle, and spring tension means for
 55 frictionally resisting rotation of said receptacle.

17. In a desk set structure adapted to be mounted upon a base having an opening, a pen-receptacle, a support for said receptacle,
 60 said support having a part extending into said base opening, a resilient member adapted to extend across the base opening, said support part being connected to said resilient member to tensionally seat said support member upon the base.

18. In a desk set, a base having an opening, a receiving receptacle, and means for securing said receptacle on said base which includes a member rotatably mounted in said
 70 base opening and having a part seated upon the top of said base, and means for holding said member in said aperture for rotation which includes a device connected to the under side of said member and a spring element between said device and said base pressing the
 75 base engaging portion of said member down in frictional engagement with the top of said base.

19. In a support of the swiveling type for the holder of a fountain pen, a base having a socket opening from the underside of the base, said base having also an opening extending from the top surface thereof into
 80 said socket, a mounting means including a part extending above said base and a connected part extending through said opening in said base with extension into the socket therein, said part above the base having a flange extending laterally of the opening in said
 85 base, a tightening member on said connected part inside said socket, a spring interposed and tensioned between said tightening member and the top surface of the socket in the base, and means for swingably mounting the
 90 penholder on said part above the base.

20. A device for securing a fountain pen receptacle to a base adapted to be placed on the top of a desk comprising adjustable means secured directly to the lower surface of said
 100 receptacle for engaging an aperture in said base, and adjustable connecting means for securing said first means in said aperture.

21. A device for securing a fountain pen receptacle to a base adapted to be placed on the top of a desk comprising adjustable means secured directly to the lower surface of said
 105 receptacle for engaging an aperture in said base, said means including a member adapted to have rotational support upon said base, and spring means between said member and the base.

22. In a desk set, a base, a receptacle, and a base mounting for said receptacle comprising a member seated upon said base, a connecting element between said member and base, and yieldable means between said element and base and cooperating with said element to press said member into engagement with said base for rotation of said member
 120 under tension.

23. In a desk set, a base, a receptacle, and a base mounting for said receptacle, comprising a member rotatable with respect to the base, a connection between said member and
 125 receptacle affording swinging movement of the latter, and means disposed axially with respect to the rotatable base-mounting member and associated with said member and base for securing said member to said base and for
 130

tensioning the rotary movement of said member.

24. A base mounting for a pen-receiving receptacle of a desk set, which includes a support member adapted to be mounted on the base, a connector element engaging said member, and a spring element acted on by said connector element and adapted to engage the base for tensionally seating said support member upon the base.

25. In desk set structure adapted to be mounted upon a base, a pen-receiving receptacle, a connection between said receptacle and the base affording movement of said receptacle to a plurality of angular positions, said connection including a member rotatably mounted upon said base and having a recess to receive a part of the connection affording movement of the receptacle to a position substantially horizontal with respect to the base, and means for retaining said member on the base for rotation relative to the latter.

26. In desk set structure, a pen-receiving receptacle, a connection associated with said receptacle including an element connected to said receptacle, a support member of such construction and so connected with said element that said receptacle may be swung back and forth, a support upon which said support member is rotatably mounted, and means pressing said support member axially into frictional engagement with its support for frictionally resisting rotation of said support member and for holding said support member in different positions of rotational adjustment with respect to its support.

27. In a pen holding stand of the class described, the combination of a receptacle for holding the pen, a stationary mounting member, means connecting said receptacle with said mounting member affording one swivel joint permitting movement of said receptacle in a horizontal plane and a separate swivel joint permitting movement of said receptacle in a vertical plane, and spring means for holding said receptacle in different adjusted positions.

28. In a desk set, a base having an opening in its upper part and a connected opening of greater diameter in its lower part, a receiving receptacle mounted on said base, inter-connecting means between said base and receptacle for mounting said receptacle thereon, said means including a member mounted on said base, a fastening device mounted in said base having one portion in said upper opening and another and enlarged portion in said lower opening, and yieldable means acting on said device.

29. A desk stand for a writing instrument, comprising a base, a sleeve for receiving the end portion of a writing instrument, a trunnion carried by said sleeve, a shell having concave portions to receive the head of said trunnion, and a clip having a concave portion

to cooperate with said shell for releasably locking said sleeve in a desired angular position.

30. A desk stand for a writing instrument, comprising a base, a sleeve for receiving the end portion of a writing instrument, a trunnion carried by said sleeve, bearing means mounted on said base and rotatably supporting said trunnion and sleeve.

31. A desk set stand for a writing instrument, comprising a base, a sleeve for receiving the end portion of a writing instrument, a trunnion carried by the sleeve, bearing means mounted on the base and rotatably supporting said trunnion, and means for retaining the trunnion and sleeve in different positions relative to the base.

32. In a pen holding stand, the combination of a pen holding receptacle having a rotative bearing surface at one end, a mounting member having a cooperating rotative bearing surface, and means for operatively holding the bearing surface of said receptacle pressed downwardly in rotative frictional engagement against the bearing surface of said mounting member.

33. In a fountain pen desk set, a base adapted to be placed on top of a desk, said base having a circular opening therein with an internal downwardly facing shoulder, a pedestal member mounted for turning movements in said opening and having a part projecting beyond said shoulder, a receptacle having a closed end for receiving the writing point of a fountain pen, means connecting the closed end of said receptacle to said pedestal whereby said receptacle is movable relative to said base, a washer-like member on said projecting part of the pedestal having its marginal edge engaging said shoulder and cooperating therewith to retain the pedestal member seated in said opening, and means on said projecting part for securing said washer-like member in place.

34. In a fountain pen desk set, a flat base adapted to be placed on top of a desk, said base having a circular opening therein with an internal downwardly facing shoulder, a shouldered pedestal member extending from the top of said base into said opening and mounted for turning movements therein with the shoulder thereof engaging the top of said base, said pedestal member having a part thereof within said opening extending below said shoulder, a receptacle having a closed end for receiving the writing point of a fountain pen, means connecting the closed end of said receptacle to said pedestal member whereby said receptacle is angularly movable relative to said base, a washer-like member on the lower end of the pedestal having its marginal edge engaging said shoulder and cooperating therewith to yieldingly retain the pedestal member seated in said opening,

and means for securing said washer-like member in place.

35. In a desk set, a receiving receptacle having a body one end of which is closed and the other end open, said closed end of the body providing an unobstructed air space in which the writing point of a writing instrument is adapted to be received, a detachable end cap mounted on the open end of said body and having an opening through which the writing point of the writing instrument is inserted into said body, and resilient means dependent on both said cap and body for support and adapted to engage the body of the writing instrument and hold it yieldably in place in the receptacle.

36. In a desk set, a receptacle for receiving a writing instrument, said receptacle being open at one end for the insertion of a writing instrument and closed at its other end to provide an unobstructed air space in which the writing point of a writing instrument is adapted to be received, a cap detachably supported by said receptacle at the entrance thereto, a seal-gripper detachably supported against removal from said receptacle by said cap for holding a writing instrument in place therein and for sealing its writing point apart from the atmosphere.

37. In a device of the class described, a base, a receiving receptacle, and a means interconnecting said base and receptacle which comprises a member mounted on said base, a member on the lower end of said receptacle, said base-mounted member having a slot to receive said receptacle-carried member, means pivotally connecting said two members in their said slot-engaging relation, and means in said slot between the side wall thereof and said receptacle-carried member for yieldably opposing swinging movement of said receptacle about said pivotal connection means.

38. In a device of the class described, a base, a receiving receptacle, and means interconnecting said base and receptacle which comprises a member mounted on said base, a member on the lower end of said receptacle, one of said members having a slot to receive the other of said members, means pivotally connecting said two members in their slot-engaged relation, and means in said slot between the side wall thereof and the other of said members for yieldably opposing swinging movement of said receptacle about said pivotal connection means.

In testimony whereof I affix my signature.

ALEXANDER INNES FERRIER.