

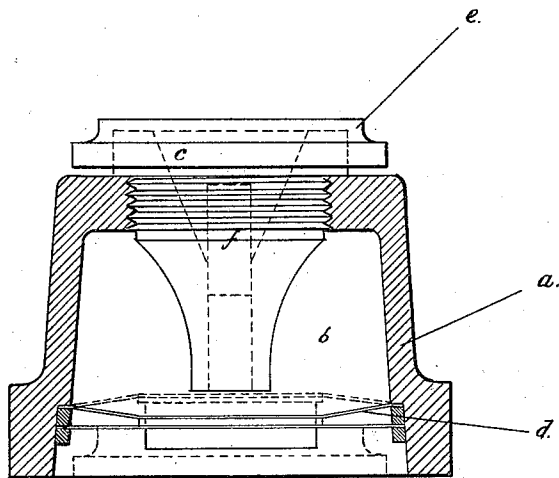
March 11, 1924.

1,486,812

G. SWEETSER

INK BOTTLE AND INK POT

Filed June 24, 1922



*Inventor.*  
*George Sweetser*  
*By Munn & Co.,*  
*Attorneys*

# UNITED STATES PATENT OFFICE.

GEORGE SWEETSER, OF LONDON, ENGLAND.

INK BOTTLE AND INK POT.

Application filed June 24, 1922. Serial No. 570,561.

*To all whom it may concern:*

Be it known that I, GEORGE SWEETSER, a subject of the King of Great Britain and Ireland, and residing at London, England, have invented a new and useful Ink Bottle and Ink Pot, of which the following is a specification.

The object of this invention is to provide the means by which an ink-pot will, when required, supply the correct depth of ink in the ink-well, no matter how small a quantity there may be contained in the reservoir.

In carrying out my invention, I fit the bottom of the ink-pot with an elastic diaphragm, the bellying up of which compresses the air contained in the reservoir, so raising the ink in the ink-well.

The accompanying drawing is a part sectional elevation of an ink-pot according to this invention, in which A is the casing, B the ink reservoir, C the ink-well, D the elastic diaphragm, E the dust-cover, by the removal of which, and placing the ink-pot upon it, as shown in broken line, the diaphragm D is bellied up, compressing the air in the reservoir, thus raising the ink in the ink-well, the dust-cover being made a suitable thickness to raise it a pre-determined height. F is a cork to prevent the escape of ink, that the ink-pot may be sent out as an ink-bottle.

Having now particularly described and ascertained the nature of my said invention, and in what manner the same is to be performed, I declare that what I claim is:—

1. An ink pot and well, comprising a reservoir having its lower inner surface enlarged forming an annular shoulder spaced from the lower end and provided with an opening in its top, an elastic diaphragm secured upon the shoulder, an ink well extending into the reservoir, and a removable cover for the ink well, said cover being smaller than the enlarged lower end of the reservoir and upon which, when removed, the reservoir is adapted to be placed with its diaphragm in contact therewith, substantially as and for the purpose set forth.

2. An ink pot and well, comprising a reservoir having an opening in its top and its lower portion closed by an elastic diaphragm spaced from the lower end of the reservoir, an ink well extending into the reservoir, and a removable cover for the ink well, said cover being smaller than the lower portion of the reservoir and upon which, when removed, said reservoir is adapted to be placed with its diaphragm in contact therewith, as and for the purpose described.

Dated the 7th day of July, 1921. No. 18,429.

GEORGE SWEETSER.