

Sept. 29, 1931.

S. E. PETERS

1,825,014

CHECK PROTECTOR

Filed May 31, 1930

Fig. 1.

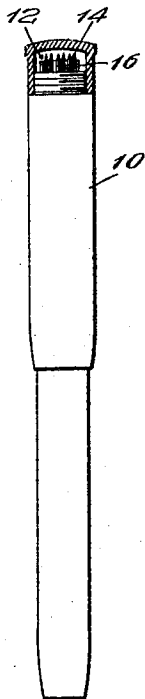


Fig. 2.

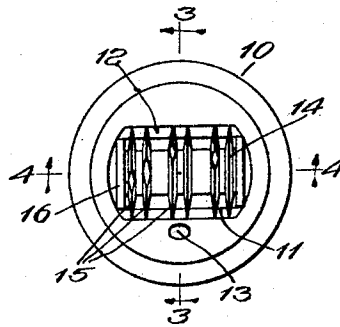


Fig. 4.

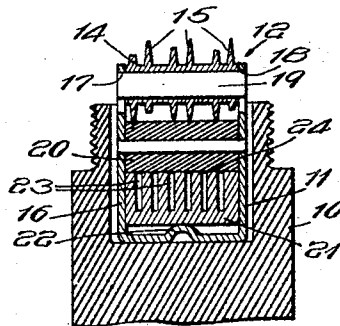


Fig. 3.

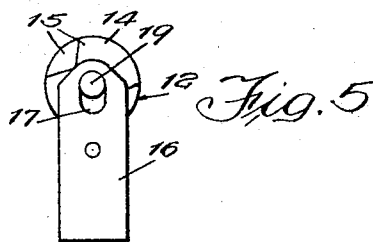
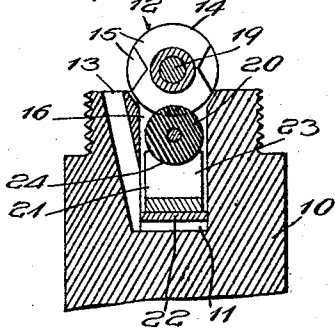


Fig. 5.

Witness:

William S. Hilroy

Inventor:  
Stanley E. Peters

Otto M. Pernich

# UNITED STATES PATENT OFFICE

STANLEY E. PETERS, OF CHICAGO, ILLINOIS

## CHECK PROTECTOR

Application filed May 31, 1930. Serial No. 457,803.

The invention relates to check protectors and primarily to a construction which is applicable for association with an element of a fountain pen or some other device which forms a handle for the check protector.

The invention has among its various objects an improved device of the above mentioned character which includes means whereby a cutting or impression roller employed in the structure may move transversely of the axis thereof and relatively to the holder so as to insure proper contact between a check and the impression roller when the handle is held at an inclination to the axis of the cutting or impression roller.

Another object of the invention is to provide improved means for feeding ink to the impression roller and to also provide means whereby the inking mechanism may be supplied with a charge of ink.

Another object of the invention is to employ an ink feeding or distributing roller for feeding ink from a fountain to the impression roller and to combine with the fountain a means whereby the fountain may move relatively to the distributing roller to thereby compensate for inequalities of the surface of this last mentioned roller.

The invention has as an additional object the provision of an improved ink fountain for supplying ink to the distributing roller.

The invention has these and other objects, all of which will be explained in detail, and more readily understood when read in conjunction with the accompanying drawings which illustrate one embodiment of the invention, it being obvious that changes and modifications may be resorted to without departing from the spirit of the appended claims forming a part hereof.

In the drawings, Fig. 1 is an elevation of a fountain pen and cap showing invention applied to cap;

Fig. 2 is a plan view of the device shown in Fig. 1;

Fig. 3 is a section taken on line 3—3 of Fig. 2;

Fig. 4 is a section taken on line 4—4 of Fig. 2; and

Fig. 5 is a side elevation of a frame for

the elements of the device shown in Figs. 2 to 4.

The invention is illustrated as applied to the cap of a fountain pen, it being manifest that the structure is not limited to the application illustrated and may be applied or associated with any other suitable article.

In the embodiment of the invention, as disclosed in the drawings, the cap of the fountain pen is designated 10. This cap has one end thereof recessed, as indicated at 11, to provide for the reception of the structure forming the check protector, generally designated 12. The cap is bored, as indicated at 13, to provide a passage from the exterior of the cap to the recess in which the device is located, it being understood that one end of the bore terminates adjacent the ink fountain of the device, so that ink may be introduced to the latter. The structure generally designated 12 includes an impression roller 14 which is provided with suitable cutting teeth 15 which will, when the impression roller is applied to the check or other article, simultaneously indent or partially cut the material of the check and apply ink to the indentations. This impression roller 14 is mounted in a frame 16 which is preferably U-shaped, as illustrated and has the opposite ends thereof provided with slots 17 and 18 for the reception of the shaft or arbor 19 of the impression roller. It is evident that by slotting the frame in the manner indicated, that the impression roller may be moved transversely of the axis thereof, which thus allows the impression roller to attain proper cooperative relation with the face of the check without necessitating the holding of the cap or part forming the handle in a particular position relatively to the check. An ink transfer roller 20 is also carried by the frame 16 and said ink transfer roller is arranged to contact with the impression roller 14. This transfer roller is preferably formed of some suitable relatively soft material such as, for instance, composition rubber and provides means for transferring ink from the well or fountain generally designated 21, to the impression roller.

The ink fountain generally designated 21 rests upon a transversely arranged rib 22 provided in the lower end of the U-shaped frame 16. This rib 22 is preferably located substantially midway between the opposite ends of the well or fountain 21 and provides a means upon which the element forming the fountain 21 may rock, and thus provide for movement thereof which compensates for inequalities in the surface of the ink transfer roller 20, the inequalities being occasioned because of the fact that the cutting teeth 15 of the impression roller 14 will, over a period of time, indent the surface of the ink distributing roller 20.

The element providing the well or fountain 21 is formed to produce a plurality of parallelly arranged slots 23 which are open at the sides and top, so that ink introduced through the passage 13 may enter said slots and be fed therefrom to the impression roller 20. The uppermost end of the walls 24 of the slots 23 are preferably curved to conform with the circumference or periphery of the ink transfer roller 20, and thus, as the ink transfer roller 20 is rotated through the agency of the rotation of the impression roller, ink is gathered from the chambers or slots 23 and thus distributed to the impression roller.

From the foregoing description, it is evident that a simple and efficient arrangement is produced which may be employed to prevent alteration of a check or other document and which employs an inking impression roller which is rotatably mounted and also mounted so that it may move transversely to the axis thereof to thereby compensate for the inclination at which the handle may be held relatively to the surface of the check or other document. It is further evident that by employing a transfer roller and arranging this roller between the impression roller and the well or fountain 21, ink will be transferred from the well or fountain to the impression roller. In addition to the above, it is manifest that by mounting the fountain so that it may rock or pivot relatively to the transfer roller, means is provided for compensating for inequalities in the surface of said transfer roller. In addition to the above, it can be understood that the passage 13 provided in the fountain pen cap or other element forming the handle, provides a simple means for supplying ink to the ink fountain, the latter of which is, as before stated, slotted so that ink introduced into the recess 11 may find its way between the walls 24, and thence into the chambers formed by the slots 23 and the walls 24.

Having thus described the invention, what I claim and desire to cover by Letters Patent is:

1. In a device of the kind described, the combination of a fountain pen cap having

a recess provided in one end thereof, an impression roller and means for feeding ink to said roller, said roller and means being mounted in said recess and said feeding means including an ink fountain having a plurality of ink retaining recesses.

2. In a check protector, the combination of a member providing a handle having a recess provided therein and check protecting means including an impression roller mounted in said recess, said roller being mounted for movement transverse to the axis thereof and means providing an ink fountain for supplying ink to said impression roller.

3. In a check protector, the combination of a member providing a handle and having a recess provided therein, a check protecting means including an impression roller and inking means for supplying ink to the impression roller mounted in said recess, said inking means including a member having a plurality of ink retaining chambers from which ink is fed said roller.

4. In a check protector, the combination of a member providing a handle and having a recess provided therein, a check protecting means including an impression roller and inking means for supplying ink to the impression roller mounted in said recess, said inking means including a member having a plurality of ink retaining chambers from which ink is fed and supplied to said roller, said first mentioned member having a passage provided therein which communicates with said ink retaining chambers.

5. In a check protector, the combination of a member providing a handle and having a recess provided therein, a check protecting means including an impression roller and inking means for supplying ink to the impression roller mounted in said recess, said inking means including a member having a plurality of ink retaining chambers from which ink is fed to said roller, a member interposed between said member having said ink retaining chambers and said impression roller, said last mentioned member providing means for transferring ink from said chambers of said member to the impression roller.

6. In a check protector the combination of a member providing a handle and having a recess provided therein, a check protecting means including an impression roller and inking means for supplying ink to the impression roller mounted in said recess, said inking means including a member having a plurality of transversely arranged slots from which ink is fed to the impression roller.

7. In a check protector the combination of a frame, an impression roller mounted in said frame, means provided in said frame

70

75

80

85

90

95

100

105

110

115

120

125

130

permitting movement of said roller transverse to the axis of said roller, an ink transfer roller for transferring ink to the impression roller and means providing an ink fountain for supplying ink to said transferring roller, said means providing said ink fountain having a plurality of slots providing ink retaining chambers, and a member having a recess in which said first mentioned frame is mounted, said last mentioned member having a passage provided therein which communicates with said recess and said ink fountain.

8. In a check protector, the combination of a member providing a handle having a recess provided therein, check protecting means including an impression roller and inking means for supplying ink to said impression roller, said inking means including an element mounted to rock relatively to said first mentioned member.

9. In a check protector, the combination of a frame, an impression roller mounted in said frame, means provided in said frame permitting movement of said roller transverse to the axis of said roller, an ink transfer roller for transferring ink to the impression roller and means providing an ink fountain for supplying ink to said transferring roller, said means providing said ink fountain having a plurality of slots providing ink retaining chambers and a member having a recess in which said first mentioned frame is mounted, said last mentioned member having a passage provided therein which communicates with said recess and said ink fountain, said means providing said ink chamber being mounted to rock with respect to the ink transfer roller.

In witness whereof, I hereunto subscribe my name this 19th day of May A. D., 1930.  
STANLEY E. PETERS.

45

50

55

60

65